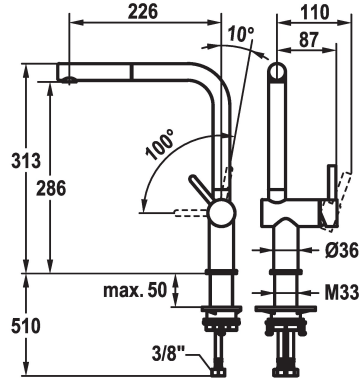


KWC BEVO E Lever mixer - Kitchen

Modell-Linie: **BEVO E** | 10.531.103.700FL ++
Taps | Manual taps



KWC-No.

10.531.103.700FL

stainless steel, A 225, flexible connection hoses

10.531.103.751FL

industrial black, A 225, flexible connection hoses

- Lever installation only possible on the right side
 - Child safety: cold water flow in lever position towards the front
 - TouchProtect - anti-scald protection thanks to the "double skin" principle
 - Pull-out aerator
 - Neoperl® Caché®
 - up to 600 mm pull-out length
 - QuickConnect - Simple hose connection system
 - Hose guide, swivelling 150°
 - EasyLock - a pull-out spray that easily slides back into place
 - OptimalSpace - ample space for washing or working
 - KWC cartridge S 25
 - with ceramic discs
 - flow rate and temperature continuously variable
 - Flexible connection hoses 3/8"
 - QuickInstallation - Fastening via threaded connection with locking screws
 - Mounting hole size $\varnothing 35$ mm
- Flow rate 8 l/min (3 bar)
Acoustic group I

NEW

