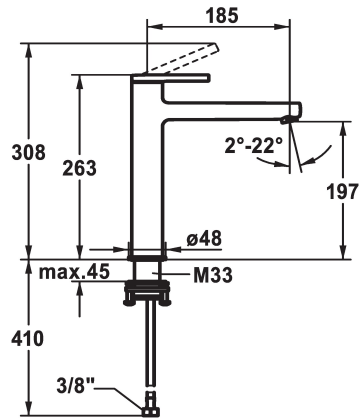


## KWC AVA 2.0 Lever mixer - Basin

Modell-Linie: AVA 2.0 | 12.468.093.000FL  
Taps | Manual taps



### KWC-No.

#### 125100

all chrome, A 185, flexible connection hoses, without pop-up valve

#### 125101

all chrome, A 185, flexible connection hoses, with Push Open

- \* For top-mounted basins
- \* EcoProtect - water-saving device
- \* Fixed spout
- Neoperl® Perlator® SSR, swivelling jet regulator
- \* OptimalSpace - ample space for washing or working
- \* KWC cartridge S 25

- with ceramic discs
- flow rate and temperature continuously variable
- \* Flexible connection hoses 3/8"
- \* QuickInstallation - Fastening via threaded connection with locking screws
- \* Mounting hole size  $\varnothing 35$  mm

### Technical Data

Energy Label
Flow rate
Pop-up_valve
Connection
Spout
Handling
Color_code
Installation type
Faucet_typ
Measure Height
Acoustic group
Projection_A

B
5 l/min (3 bar)
2
Thermosatic
Shut-off valve
Shut-off valve
chrome
4
Lever mixer
308
Shut-off valve
A 185

