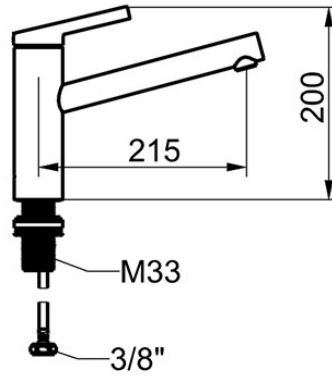


KWC FIT Lever mixer – Kitchen

Modell-Linie: FIT | 10.541.022.176FL
Taps | Manual taps



KWC-No.

125570
chromeline, A 215, flexible connection hoses

125571
matt black, A 215, flexible connection hoses

- * Lever mixer
- * Swivel spout 150°
- Neoperl® Cascade® SLC
- * KWC cartridge M 35 S
- with ceramic discs
- flow rate and temperature continuously variable

- temperature limitation
- * Flexible connection hoses 3/8"
- * QuickInstallation - Fastening via threaded connection with locking screws
- * Mounting hole size ø35 mm

NEW

Technical Data

Energy Label
Flow rate
Connection
Spout
Handling
Color_code
Installation type
Faucet_typ
Acoustic group
Projection_A

A
7 l/min (3 bar)
Thermosatic
2
Shut-off valve
matt black
Shut-off valve
Lever mixer
Shut-off valve
A 215

