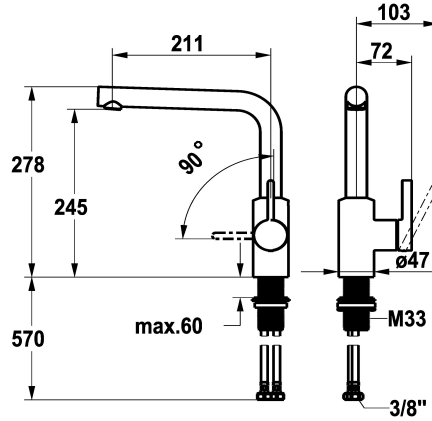


KWC FIT Lever mixer – Kitchen

Modell-Linie: FIT | 10.541.012.000FL
Taps | Manual taps



KWC-No.

125574
chromeline, A 205, flexible connection hoses

125575
matt black, A 205, flexible connection hoses

- * Lever mixer
- * Lever installation only possible on the right side
- Child safety: cold water flow in lever position towards the front
- * gap between wall and centre of mounting hole min. 25 mm
- * Swivel spout 150°
- Neoperl® Cascade® SLC
- * OptimalSpace - ample space for washing or working
- * KWC cartridge M 35 S

- with ceramic discs
- flow rate and temperature continuously variable
- temperature limitation
- * Flexible connection hoses 3/8"
- * QuickInstallation - Fastening via threaded connection with locking screws
- * Mounting hole size ø35 mm

NEW

Technical Data

Energy Label	A
Flow rate	7,6 l/min (3 bar)
Connection	Thermosatic
Spout	2
Handling	2
Color_code	chrome
Installation type	Shut-off valve
Faucet_typ	Lever mixer
Design	3
Acoustic group	Shut-off valve
Projection_A	A 205

Energy Label	A
Flow rate	7,6 l/min (3 bar)
Connection	Thermosatic
Spout	2
Handling	2
Color_code	chrome
Installation type	Shut-off valve
Faucet_typ	Lever mixer
Design	3
Acoustic group	Shut-off valve
Projection_A	A 205

