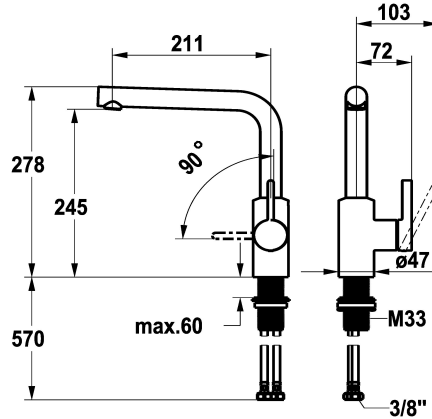


## KWC FIT Lever mixer – Kitchen

Modell-Linie: FIT | 10.541.012.176FL  
Taps | Manual taps



### KWC-No.

**125574**  
chromeline, A 205, flexible connection hoses

**125575**  
matt black, A 205, flexible connection hoses

- \* Lever mixer
- \* Lever installation only possible on the right side
- Child safety: cold water flow in lever position towards the front
- \* gap between wall and centre of mounting hole min. 25 mm
- \* Swivel spout 150°
- Neoperl® Cascade® SLC
- \* OptimalSpace - ample space for washing or working
- \* KWC cartridge M 35 S

- with ceramic discs
- flow rate and temperature continuously variable
- temperature limitation
- \* Flexible connection hoses 3/8"
- \* QuickInstallation - Fastening via threaded connection with locking screws
- \* Mounting hole size ø35 mm

NEW

### Technical Data

Energy Label	A
Flow rate	7,6 l/min (3 bar)
Connection	Thermosatic
Spout	2
Handling	2
Color_code	matt black
Installation type	Shut-off valve
Faucet_typ	Lever mixer
Design	3
Acoustic group	Shut-off valve
Projection_A	A 205

Energy Label	A
Flow rate	7,6 l/min (3 bar)
Connection	Thermosatic
Spout	2
Handling	2
Color_code	matt black
Installation type	Shut-off valve
Faucet_typ	Lever mixer
Design	3
Acoustic group	Shut-off valve
Projection_A	A 205

