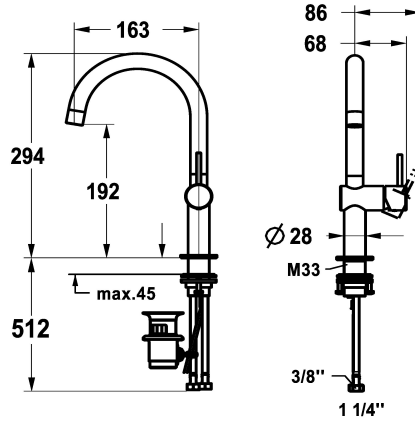


## KWC ONO E Lever mixer – Washbasin

Modell-Linie: ONO E | 12.578.142.700FL  
Taps | Manual taps



### KWC-No.

**125626**  
chromeline, A160, flexible connection hoses, without pop-up valve

**125627**  
stainless steel, A160, flexible connection hoses, without pop-up valve

- \* Lever mixer
- \* Made of stainless steel
- \* Lever installation only possible on the right side
- Child safety: cold water flow in lever position towards the front
- \* EcoProtect - water-saving device
- \* Swivel spout 120°
- Neoperl® Caché® SJR, swivelling jet regulator
- \* OptimalSpace - ample space for washing or working

### Color\_code

chrome

stainless steel

- \* KWC cartridge S 25
- with ceramic discs
- flow rate and temperature continuously variable
- \* Flexible connection hoses 3/8"
- \* QuickInstallation - Fastening via threaded connection with locking screws
- \* Mounting hole size ø35 mm

NEW

### Technical Data

Pop-up_valve	2
Connection	Thermosatic
Spout	2
Handling	2
Color_code	stainless steel
Installation type	Shut-off valve
Faucet_typ	Lever mixer
Design	5
Measure Height	294
Projection_A	A 160



### Spare Parts





**KWC** ONO E

Lever mixer – Washbasin

**Modell-Linie: ONO E | 12.578.142.700FL**  
Taps | Manual taps

**Cartridge S 25**

---

**538711**  
Z.536.032

---