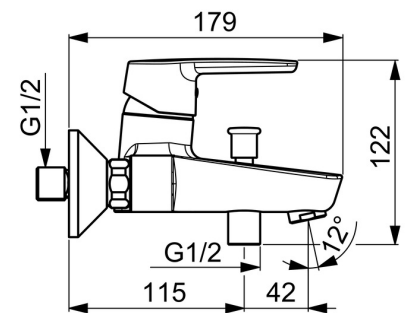
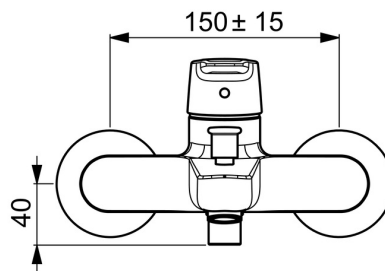
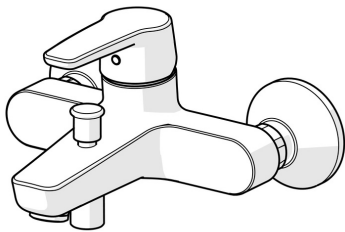


EAN: 4057304002939  
[static.hansa.com/51442193](https://static.hansa.com/51442193)



The HANSA POLO bath and shower faucet is designed for wall-mounted installation, with a chrome surface treatment that ensures durability. It features hot/cold symbols for intuitive control. The pull-operated diverter with automatic reset offers seamless transition between bath and shower modes. Crafted with a body of high quality DZR brass, this faucet promises longevity and resistance to corrosion, ensuring reliable performance in high-demand environments. The faucet is ideal for everyone looking a blend of functionality and modern design.

- Bathtub & Shower
- Single-lever
- Wall mounted
- Chrome
- Fixed spout
- Standard aerator
- Hot/Cold symbols, Single operating lever/handle
- Pull operated diverter, Automatic reset
- Limitation option for maximum temperature and flow-rate, Adjustable hot water stop (included, retrofittable)
- Non-return valve(s),  $\varnothing$  35 mm ceramic cartridge for flow and temperature control
- Eccentric coupling(s)
- Inner body made of DZR brass



## Technical data

### Flow properties

Flow-rate at 3 bar **20.4 / 19.2 l/min**

### Technical properties

DN-size (nominal dimension) **DN15**  
 Hot water supply **max. +80°C**  
 Working pressure **0.5-10 bar**  
 Connection size **G3/4**  
 Installation width **150 ± 15 mm**  
 Projection **157 mm**  
 Backflow prevention (EN1717) **EB**  
 Material **Brass**

### Regulations

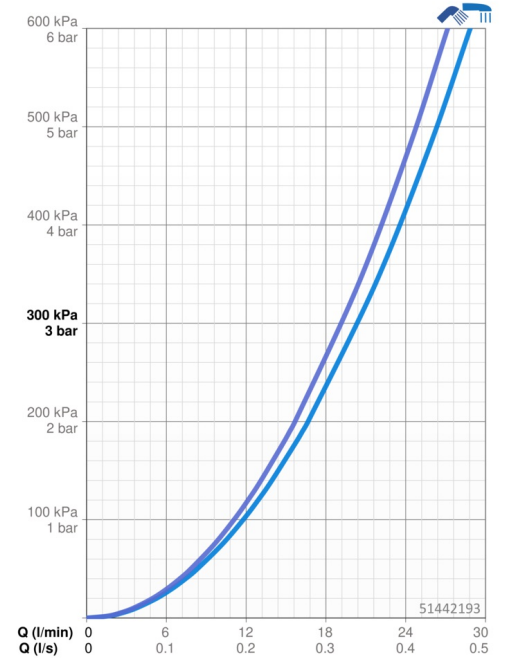
EN standard **EN 817**  
 Noise class **I(ISO 3822)**

### Approvals and Declarations

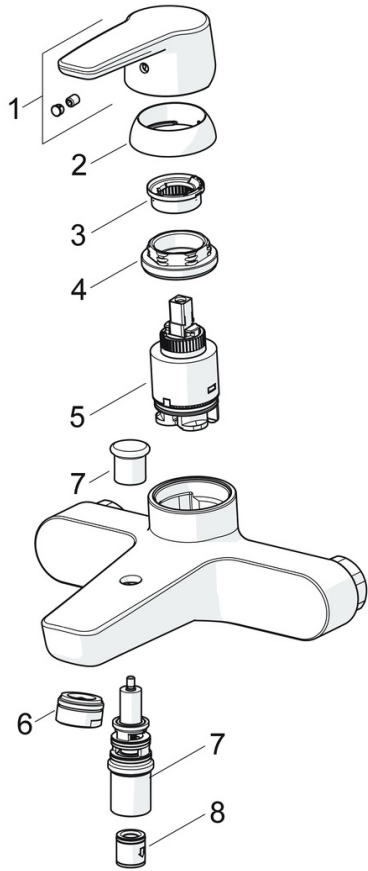
KIWA **K6116/08**  
 DVGW **NW-6506BP0361**  
 ABP **PA-IX 38493/IDB**  
 Declaration of conformity **DoC**  
 EPD **S-P-06397**

### Sustainability

EPD module A1 (kg CO2 eq.) **11,05**  
 EPD module A2 (kg CO2 eq.) **0,57**  
 EPD module A3 (kg CO2 eq.) **1,25**  
 EPD module A1-A3 (kg CO2 eq.) **12,88**  
 EPD module A4 (kg CO2 eq.) **0,51**  
 EPD module B7 (kg CO2 eq.) **3302,40**  
 EPD module C2 (kg CO2 eq.) **0,02**  
 EPD module C3 (kg CO2 eq.) **0,02**  
 EPD module C4 (kg CO2 eq.) **1,89**  
 EPD module D (kg CO2 eq.) **-8,16**



## Spare parts



### SP51442193

	Name	Code
01	Lever	59914417
02	Covering cap, 33x3 mm	59912504
03	Temperature adjustment limiter Discontinued	59912325
04	Tightening nut, M40x1, SW30	1003409V
05	Cartridge, 3.5 Classic	59913075
06	Aerator, M24x1 D	59911829
07	Diverter	59912706
08	Non-return valve	59905714