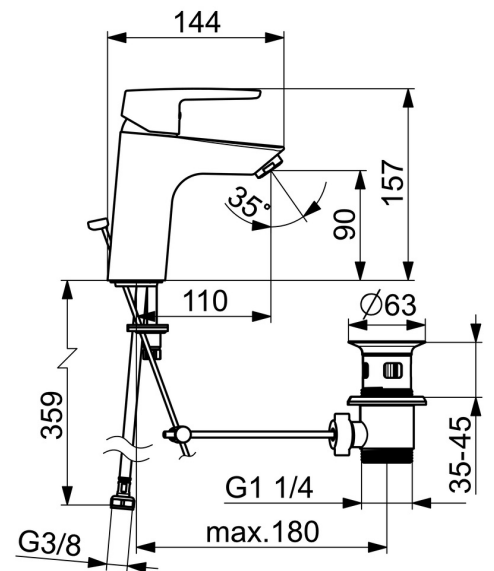
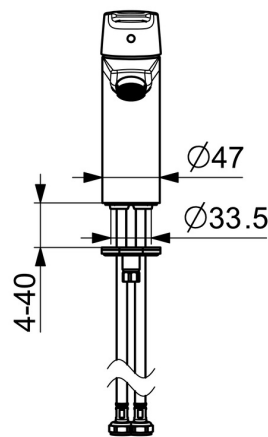
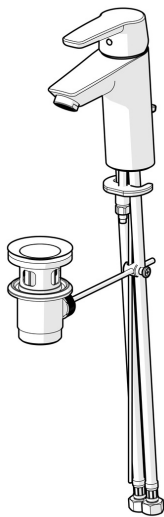


EAN: 4057304002786  
[static.hansa.com/51502293](http://static.hansa.com/51502293)



The HANSA POLO XL washbasin faucet is designed for sustainable building and housing applications. Its chrome finish ensures durability and aesthetic appeal, while single-lever operation offers precise control over water temperature and flow. The smart operating and solid cartridge guarantees reliability and longevity. Benefit from a rapid installation system, reducing setup time. Features include a pop-up waste with draw-rod and chain holder, optimizing functionality. Ideal for deck-mounted installations, this faucet is a smart choice for everyone seeking efficiency and quality in sanitary fittings.

- Washbasin
- Single-lever
- Deck mounted
- Chrome
- Fixed spout
- PCA® - constant flow rate regardless of pressure variations
- Hot/Cold symbols, Single operating lever/handle
- Pop-up waste with draw-rod
- Limitation option for maximum temperature and flow-rate, Adjustable hot water stop (included, retrofittable)
- ø 35 mm ceramic cartridge for flow and temperature control
- Flexible inlet pipes
- Inner body made of DZR brass, Rapid installation system



## Technical data

### Flow properties

Flow-rate at 3 bar (with flow controller) **6.0 l/min**

### Technical properties

DN-size (nominal dimension) **DN15**  
 Hot water supply **max. +70°C**  
 Working pressure **0.5-10 bar**  
 Connection size **G3/8**  
 Projection **110 mm**  
 Backflow prevention (EN1717) **AA**  
 Material **Brass**

### Regulations

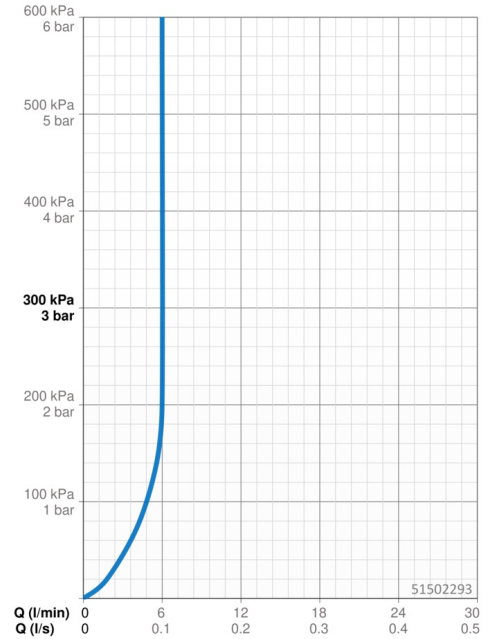
EN standard **EN 817**  
 Noise class **I (ISO3822)**

### Approvals and Declarations

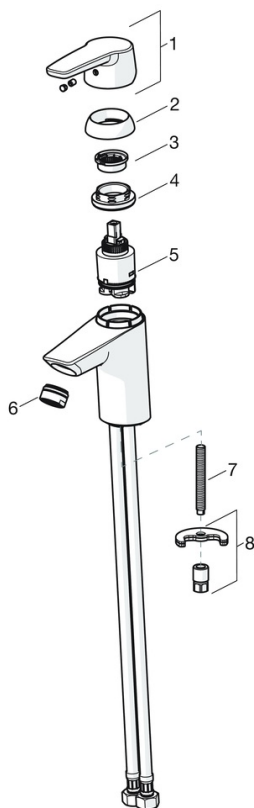
KIWA **K6116/08**  
 DVGW **NW-6506BP0361**  
 ABP **P-IX 38812/IA**  
 Declaration of conformity **DoC**  
 EPD **S-P-06391**

### Sustainability

EPD module A1 (kg CO2 eq.) **7,86**  
 EPD module A2 (kg CO2 eq.) **0,38**  
 EPD module A3 (kg CO2 eq.) **0,74**  
 EPD module A1-A3 (kg CO2 eq.) **8,99**  
 EPD module A4 (kg CO2 eq.) **0,25**  
 EPD module B7 (kg CO2 eq.) **1854,00**  
 EPD module C2 (kg CO2 eq.) **0,02**  
 EPD module C3 (kg CO2 eq.) **0,02**  
 EPD module C4 (kg CO2 eq.) **0,07**  
 EPD module D (kg CO2 eq.) **-6,39**



## Spare parts



### SP51402293

	Name	Code
01	Lever	59914417
01	Long lever	59914633
02	Covering cap, 33x3 mm	59912504
03	Temperature adjustment limiter Discontinued	59912325
04	Tightening nut, M40x1, SW30	1003409V
05	Cartridge, 3.5 Classic	59913075
06	Aerator, M24x1 A, low pressure	59902692
06	Aerator, M24x1, 6 l/min	59913727
07	Fixing screw, M8x1, L=140	59912474
08	Fixing set	59910749
N.I.	Pop-up waste	59904620
N.I.	Flexible pipe, L=430, G3/8-M10x1	59912515
N.I.	Pop-up operating rod	59914464
N.I.	Pop-up waste, (2019-)	59914764