

Logis

2-handle basin mixer with pop-up waste set

Surfaces: **chrome** Article Number: **71222000**



Description

product features

- ComfortZone 150
- projection 145 mm
- normal spray
- flow rate: 5 l/min
- ceramic valves hot/ cold 90°
- pop-up waste set G 1¼
- suitable for continuous flow water heaters
- swivel range 120°
- connection dimension: DN15

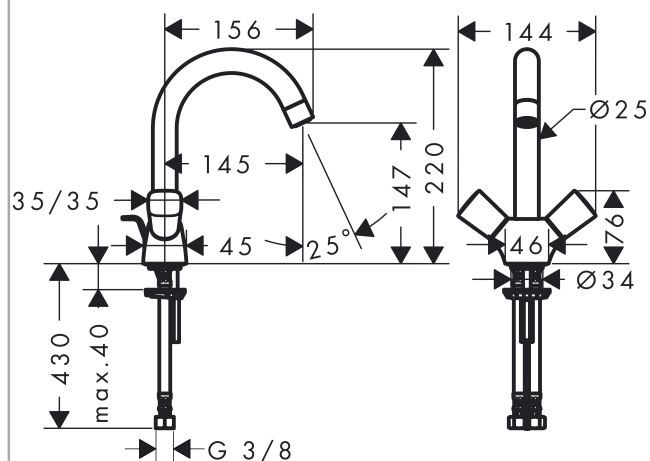
Technology



Product image



Scale drawing



Flowchart

