

## Talis E

Single lever basin mixer for concealed installation with spout 225 mm wall-mounted

Surfaces: **chrome** Article Number: **71734000**



### Description

#### product features

- projection 225 mm
- normal spray
- flow rate: 5 l/min
- ceramic cartridge
- temperature limitation adjustable
- non-closing flush grated valve
- suitable for continuous flow water heaters
- connection dimension: DN15

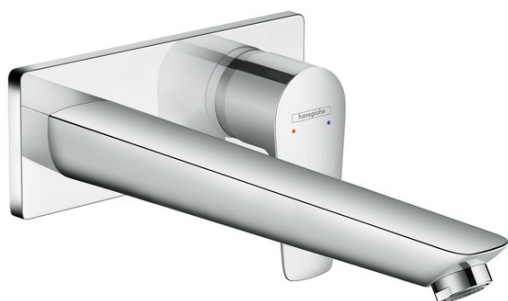
#### Mandatory Accessoires

- Basic set for single lever basin mixer for concealed installation wall-mounted (#13622XXX)

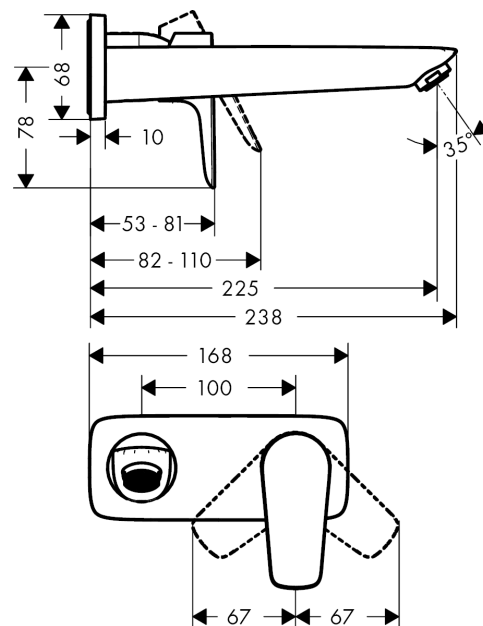
### Technology



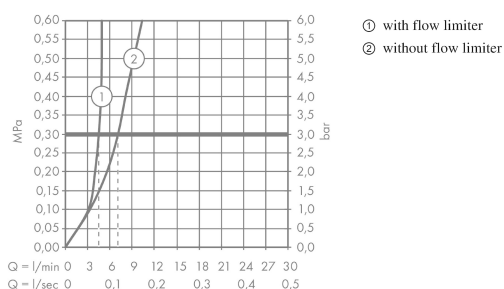
### Product image



### Scale drawing



### Flowchart



## Talis E

Single lever basin mixer for concealed installation with spout 225 mm wall-mounted

Surfaces: **chrome** Article Number: **71734000**



### Installation examples

