

Talis E
Single lever shower mixer for exposed installation
 Surfaces: **chrome** Article Number: **71760000**



Description

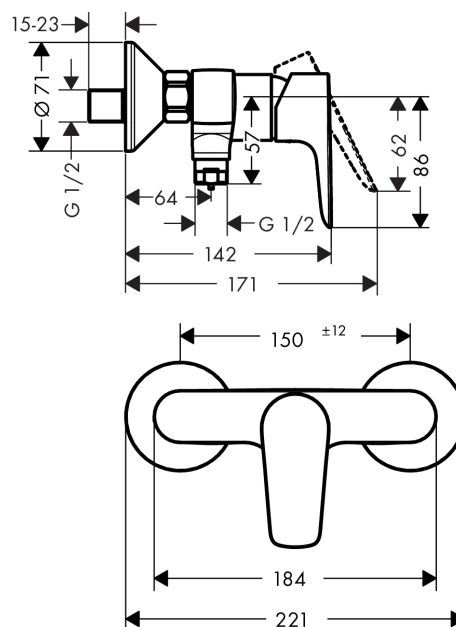
product features

- connection type: s-shaped connections
- centre distance: 150 mm ± 12 mm
- flow rate: 22 l/min
- ceramic cartridge
- temperature limitation adjustable
- non-return valve
- with silencer
- hose connection DN15
- connection dimension: DN15

Product image



Scale drawing



Flowchart

