

Talis E

3-hole rim mounted bath mixer

Surfaces: **chrome** Article Number: **71730000**



Description

product features

- projection 196 mm
- connection type: basic set
- normal and spray jet
- flow rate: 20 l/min
- ceramic cartridge
- temperature limitation adjustable
- with automatic resetting
- non-return valve
- maximum pull-out length of hand shower: 1,10 m
- connection dimension: DN15
- scope of supply: handle, escutcheons, bath spout with diverter, ceramic cartridge, Secuflex hose set

consists of

- Cromas Select E 1jet hand shower (#26814XXX)

Mandatory Accessoires

- Basic set for 3-hole rim mounted single lever bath mixer (#13437XXX)

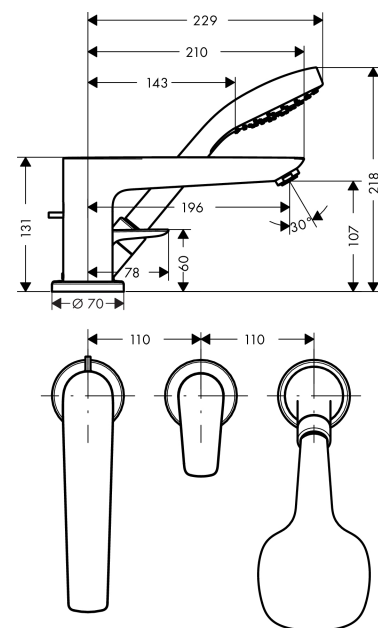
Technology



Product image



Scale drawing



Talis E

3-hole rim mounted bath mixer

Surfaces: **chrome** Article Number: **71730000**



Flowchart

