

AXOR Uno

Single lever basin mixer 100 loop handle with pop-up waste set

Surfaces: **chrome** Article Number: **38023000**



Description

product features

- ComfortZone 100
- projection 127 mm
- normal spray
- flow rate: 5 l/min
- ceramic cartridge
- temperature limitation adjustable
- pop-up waste set G 1¼
- suitable for continuous flow water heaters
- connection dimension: DN15

Optional Accessoires

- Flowstar design trap set (#52120XXX)

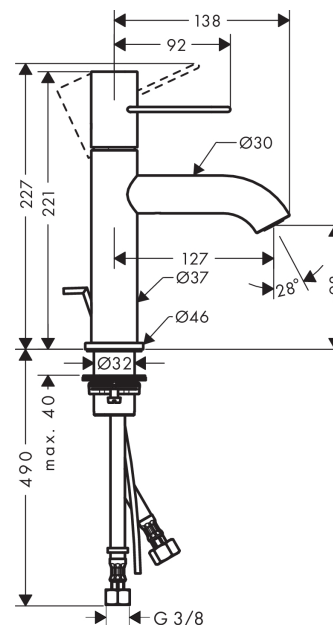
Technology



Product image



Scale drawing



Flowchart

