

## AXOR Uno

### Select basin mixer 200 without pull-rod

Surfaces: **chrome** Article Number: **45013000**



#### Description

##### product features

- ComfortZone 200
- projection 198 mm
- laminar spray
- flow rate: 5 l/min
- Select Cartridge with temperature control
- temperature limitation adjustable
- non-closing flush grated valve
- suitable for continuous flow water heaters
- connection dimension: DN15

##### Optional Accessoires

- Flowstar design trap set (#52120XXX)

#### Technology



#### Design awards

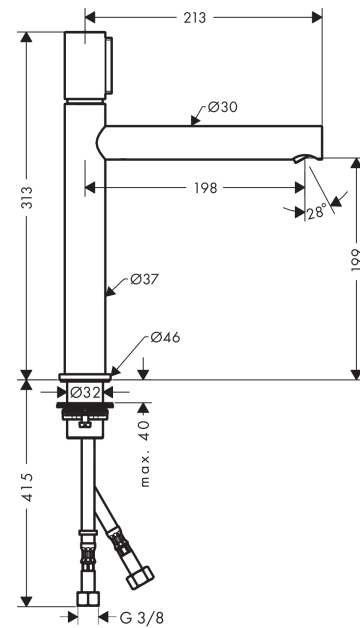


reddot award 2017  
winner

#### Product image



#### Scale drawing



#### Flowchart

