

AXOR Uno

Select basin mixer 260 without pull-rod

Surfaces: **chrome** Article Number: **45014000**



Description

product features

- ComfortZone 260
- projection 198 mm
- laminar spray
- flow rate: 5 l/min
- Select Cartridge with temperature control
- temperature limitation adjustable
- non-closing flush grated valve
- suitable for continuous flow water heaters
- connection dimension: DN15

Optional Accessoires

- Flowstar design trap set (#52120XXX)

Technology



Design awards

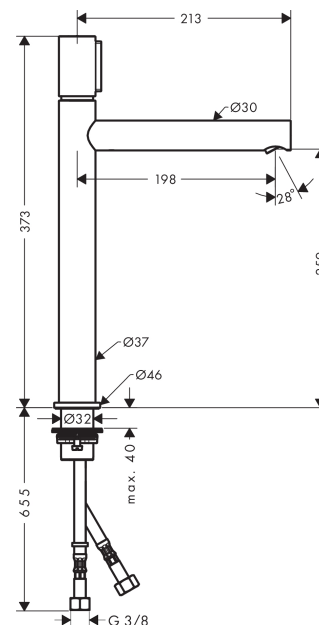


reddot award 2017
winner

Product image



Scale drawing



Flowchart

