

AXOR Uno

Single lever basin mixer for concealed installation loop handle wall-mounted 225

Surfaces: **chrome** Article Number: **38122000**



Description

product features

- handle can be positioned on the right or left, depends on the basic set installation
- projection 225 mm
- normal spray
- flow rate: 5 l/min
- ceramic cartridge
- temperature limitation adjustable
- non-closing flush grated valve
- suitable for continuous flow water heaters
- connection dimension: DN15

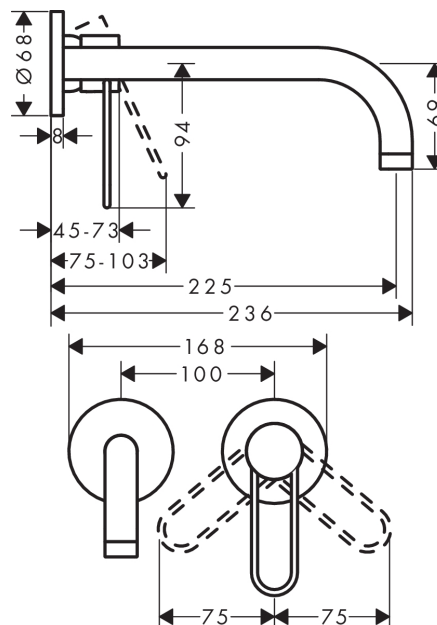
Technology



Product image



Scale drawing



Flowchart

