

AXOR Uno

Select basin mixer for concealed installation wall-mounted 220

Surfaces: **chrome** Article Number: **45113000**



Description

product features

- handle can be positioned on the right or left, depends on the basic set installation
- projection 220 mm
- normal spray
- flow rate: 5 l/min
- Select valve
- separation of temperature and volume control
- non-closing flush grated valve
- suitable for continuous flow water heaters
- connection dimension: DN15

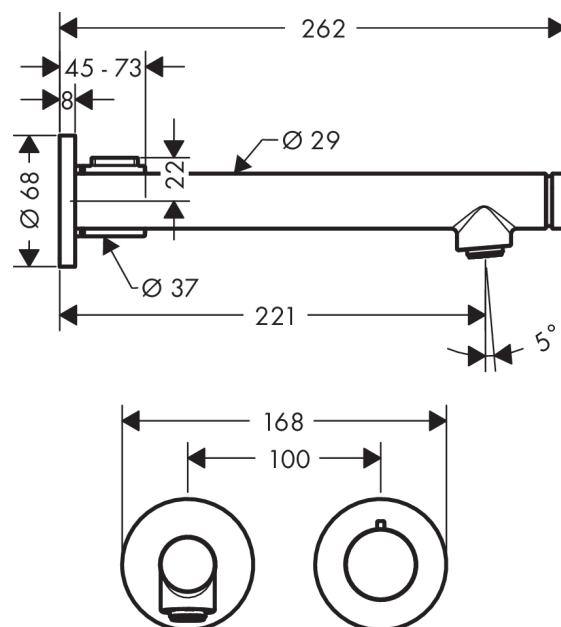
Technology



Product image



Scale drawing



Flowchart

