

AXOR Uno

Single lever bath mixer for exposed installation loop handle

Surfaces: **chrome** Article Number: **38421000**



Description

product features

- projection 203 mm
- connection type: s-shaped connections
- centre distance: 150 ± 16 mm
- normal spray
- flow rate: 22 l/min
- ceramic cartridge
- temperature limitation adjustable
- with automatic resetting
- non-return valve
- with silencer
- no integrated shower support
- suitable for continuous flow water heaters
- connection dimension: DN15
- scope of supply: metal escutcheon

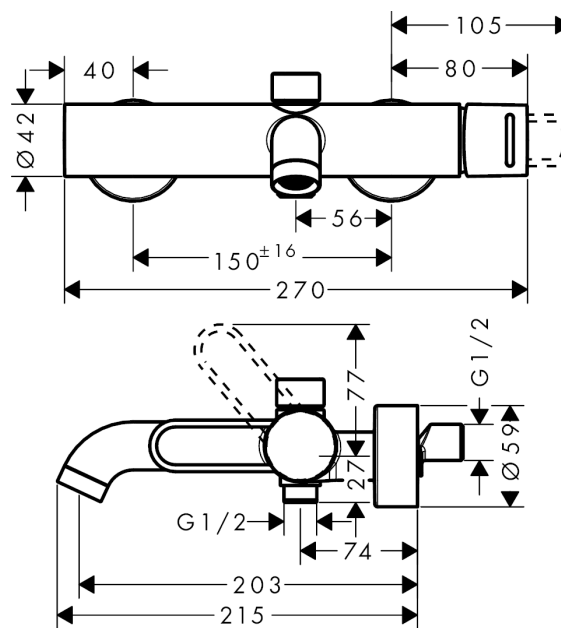
Technology



Product image



Scale drawing



AXOR Uno

Single lever bath mixer for exposed installation loop handle

Surfaces: **chrome** Article Number: **38421000**



Flowchart

