

AXOR Uno

Single lever bath mixer for concealed installation loop handle

Surfaces: **chrome** Article Number: **38426000**



Description

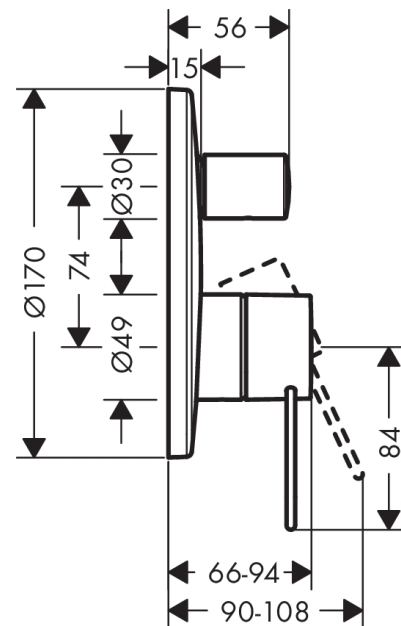
product features

- connection type: basic set
- ceramic cartridge
- temperature limitation adjustable
- with automatic resetting
- with silencer
- suitable for continuous flow water heaters
- scope of supply: metal escutcheon, handle, sleeve, diverter, mixing unit

Product image



Scale drawing



Flowchart

