

**AXOR Montreux**  
**Single lever basin mixer 100 with pop-up waste set**  
 Surfaces: **chrome** Article Number: **16515000**



### Description

#### product features

- ComfortZone 100
- projection 142 mm
- normal spray
- flow rate: 5 l/min
- ceramic cartridge
- temperature limitation adjustable
- pop-up waste set G 1¼
- suitable for continuous flow water heaters
- connection dimension: DN15

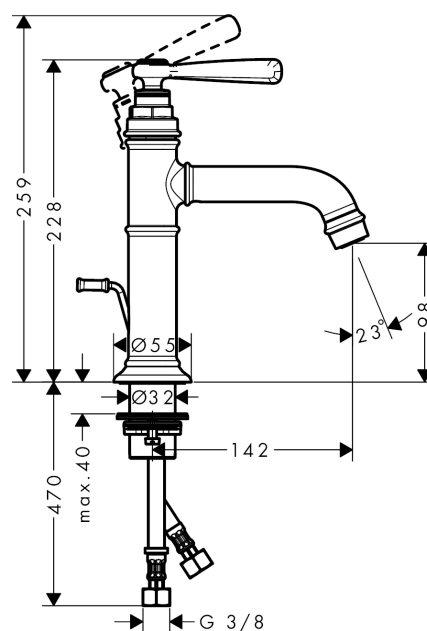
### Technology



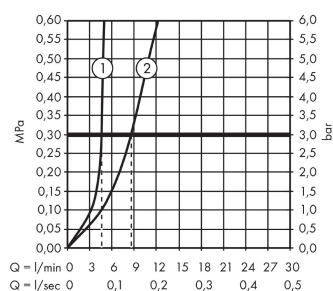
### Product image



### Scale drawing



### Flowchart



- ① With flow limiter
- ② Without flow limiter