

**AXOR Edge**  
**3-hole rim mounted bath mixer - diamond cut**  
 Surfaces: **Chrome** Article Number: **46431000**



### Description

#### product features

- consists of: 3-hole rim mounted single lever bath mixer, baton hand shower, shower holder
- projection 210 mm
- connection type: basic set
- spray type mixer: normal spray
- spray type hand shower: Rain, Mono
- maximum pull-out length of hand shower: 1.45 m
- flow rate at 3 bar: 20.2 l/min
- flow rate for bath spout at 3 bar: 20.2 l/min
- flow rate of hand shower at 3 bar: 9 l/min
- ceramic cartridge
- min. operating pressure: 1 bar
- max. operating pressure: 10 bar
- temperature limitation adjustable
- non-return valve
- suitable for continuous flow water heaters
- connection dimension: DN15

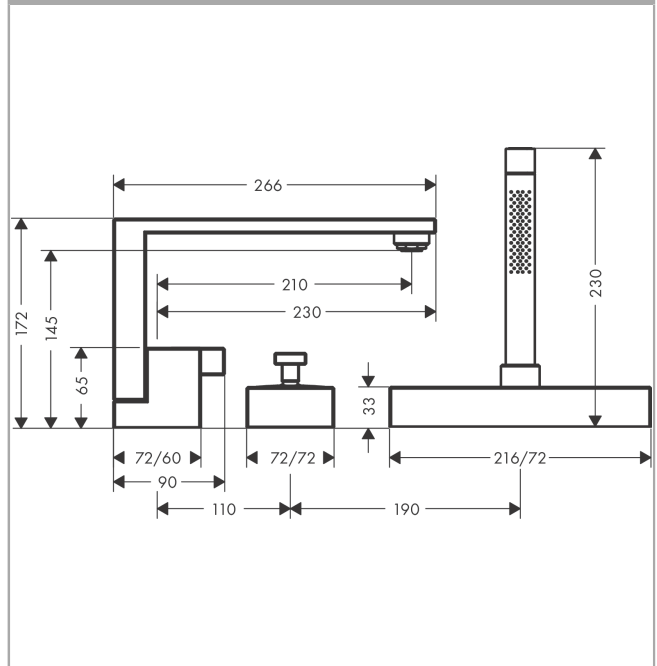
### Technology



### Product image



### Scale drawing



**AXOR Edge**  
**3-hole rim mounted bath mixer - diamond cut**  
 Surfaces: **Chrome** Article Number: **46431000**



### Flowchart

