

AXOR Edge

Single lever bath mixer floor-standing - diamond cut

Surfaces: **Chrome** Article Number: **46441000**



Description

product features

- consists of: single lever bath mixer floor standing, baton hand shower, shower hose, shower holder
- projection 255 mm
- connection type: basic set
- spray type mixer: normal spray
- spray type hand shower: Rain, Mono
- flow rate at 3 bar: 23.2 l/min
- flow rate for bath spout at 3 bar: 23.2 l/min
- flow rate of hand shower at 3 bar: 13 l/min
- ceramic cartridge
- min. operating pressure: 1 bar
- max. operating pressure: 10 bar
- temperature limitation adjustable
- with automatic resetting
- non-return valve
- suitable for continuous flow water heaters
- connection dimension: DN15

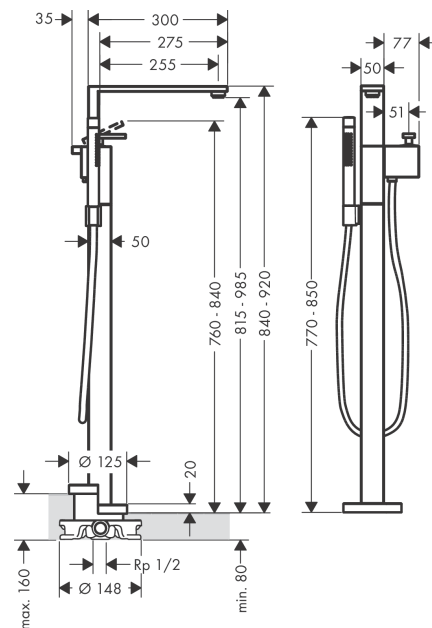
Technology



Product image



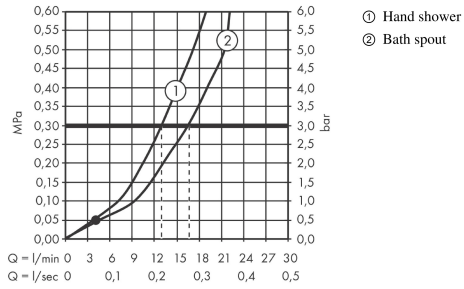
Scale drawing



AXOR Edge
Single lever bath mixer floor-standing - diamond cut
 Surfaces: **Chrome** Article Number: **46441000**



Flowchart



The consumption was measured in combination with the appropriate fittings (thermostat/mixer/in-wall valve) to reflect actual application in practice.