

Croma E

Showerpipe 280 1jet with bath thermostat

Surfaces: **Chrome** Article Number: **27687000**



Description

product features

- consists of: overhead shower, hand shower, bath thermostat, shower hose, hand shower holder, shower bar
- shower head size: 280 x 170 mm
- spray type: RainAir
- fully chrome-plated spray disc
- ball-joint: overhead shower angle adjustable
- height-adjustable handshower holder with locking push-button slider
- shower bar diameter: 22 mm
- rising pipe can be shortened in height
- swivel shower arm
- maximum flow rate at 3 bar: 20,3 l/min
- flow rate RainAir spray (at 3 bar): 15 l/min
- operating pressure: min. 0.17 MPa/max. 1.0 MPa
- CoolContact thermostat: Prevents the housing from heating up, making showering even safer
- thermostat Ecostat E
- flow rate bath filler: 20 l/min
- safety lock at 40° C
- installation type: exposed installation
- connection thread G ½
- centre distance 150 ± 12 mm

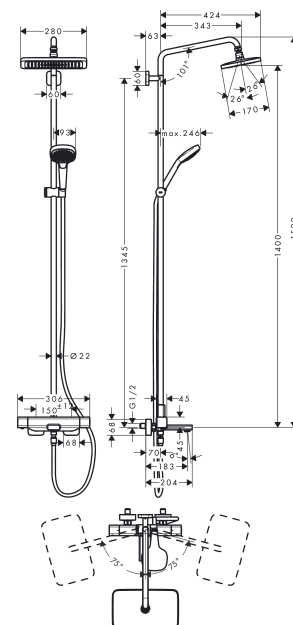
Technology



Product image



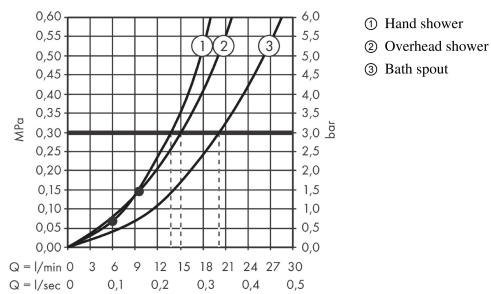
Scale drawing



Croma E
Showerpipe 280 1jet with bath thermostat
 Surfaces: **Chrome** Article Number: **27687000**



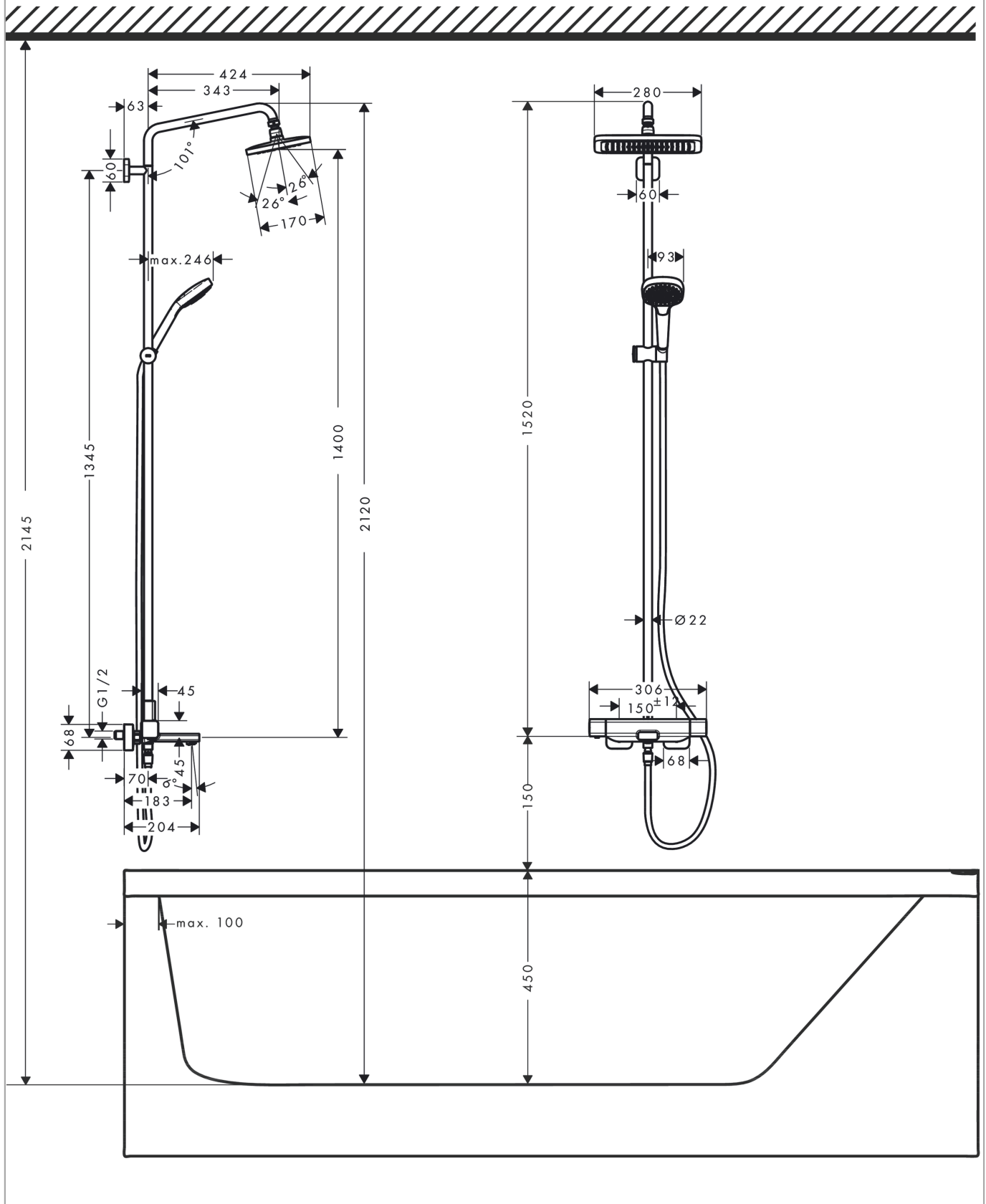
Flowchart



Croma E
Showerpipe 280 1jet with bath thermostat
 Surfaces: **Chrome** Article Number: **27687000**



Installation examples

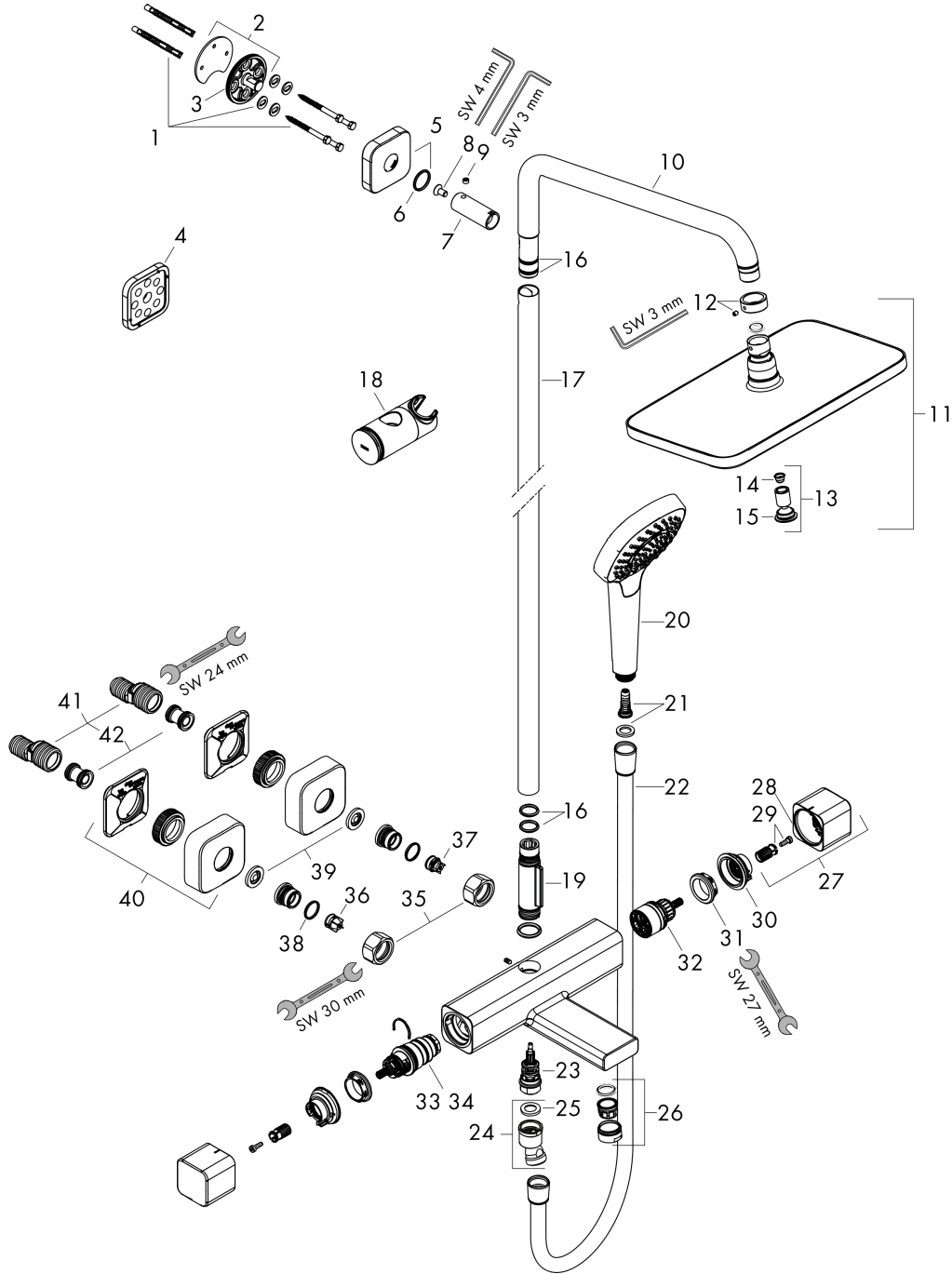


Croma E
Showerpipe 280 1jet with bath thermostat
 Surfaces: **Chrome** Article Number: **27687000**



Exploded Drawing

Year of production: >07/19



Croma E

Showerpipe 280 1jet with bath thermostat

Surfaces: **Chrome** Article Number: **27687000**



Spare part list

Year of production: >07/19

Pos.	Description	Article Number	Price	PU
1	mounting set	98716000	-	1
2	wall flange	95688000	-	1
3	O-Ring 50x2	98187000	-	1
4	tile-matching-disk	93527000	-	1
5	escutcheon	93526000	-	1
6	O-ring 20x2	98165000	-	1
7	sleeve	92166000	-	1
8	screw	92137000	-	1
9	hollow set screw M6x5	98447000	-	1
10	shower arm	95985000	-	1
11	head shower	26257000	-	1
12	lock washer	98942000	-	1
13	air jet	95416000	-	1
14	filter	97735000	-	1
15	O-ring 7x2	98419000	-	1
16	O-ring 15x2,5	98131000	-	1
17	pipe 1260 mm	93655000	-	1
18	pipe 1400 mm	95983000	-	1
19	support, assy	93517000	-	1
20	handle	93559000	-	1
21	handshower	26810400	-	1
22	filter insert	97708000	-	1
23	shower hose Isiflex'B 1,60 m	28276000	-	1
24	selector	97978000	-	1
25	ball joint	95790000	-	1
26	seal	98058000	-	1
27	aerator M24x1 (38 l/min)	95871000	-	1
28	handle	93520000	-	1
29	pushbutton	92848000	-	1
30	handle fixing set	93228000	-	1
31	safety set	93519000	-	1
32	nut	98913000	-	1
33	shut off unit with selector	98283000	-	1
34	thermostat cartridge	98282000	-	1
35	set of nuts	96157000	-	1
36	non return valve (pressure-resistant up to 2 MPa)	93136000	-	1
37	non return valve	96737000	-	1
38	O-ring 17x1,5	98137000	-	1
39	filter packing	96922000	-	1
40	escutcheon	93518000	-	1
41	set of S-unions (±12 mm)	94140000	-	1

Croma E
Showerpipe 280 1jet with bath thermostat
Surfaces: **Chrome** Article Number: **27687000**



Spare part list

Year of production: >07/19

Pos.	Description	Article Number	Price	PU
42	noise reduction	96429000	-	1