

Order number: 00 242 06 99

SCHELL electronic kitchen faucet GRANDIS E HD-M (high pressure mixed water)

Infrared sensor controlled and additional single lever operation, suitable for networking with water management system SWS, parameterisable via Single Control SSC.

With battery compartment 6 V and 4x AA Alkaline batteries

Scope of delivery:

Kitchen faucet

- infrared sensor
- electronic programmable
- solenoid valve 6 V
- single lever operation
- ceramic cartridge with hot water Limitation
- 2 flexible connection hoses G 3/8 int. thread x 420 mm with backflow preventer (BP, DIN EN 1717:EB) and pre-filter 250 µm
- Pivoting outlet (arrestible) with jet regulator
- fastening material for single hole installation

Field of application / Technical data:

- flow rate (manual release): max. 10 l/min at 3 bar
- flow rate (electronic release): max. 8.5 l/min at 3 bar
- resting pressure max.: 8.0 bar
- flow pressure: 1,0 - 5,0 bar
- Water temperature max. 70°C (80°C permissible for 10 min./day)

Adjustment via hand programming:

- max. flow time (4 - 240 s, 12 program steps)
- stagnation flush (off / after last flush / fixed interval)

Adjustment via SWS/SSC:

- programming via hand programming (Off / On)
- max. flow time (1-600 s)
- stagnation flush (off / on, 5 - 600 s, every 1 - 240 h after last flush / every 1 -240 h)
- energy saving mode (off/ 1- 254 h after last use)

Details:

- Material: Brass conform german drinking water regulation
- Surface: chrome
- Weight: 0 kg/pc.
- Packaging unit: 1
- Dimension: DN 10 G 3/8 internal thread

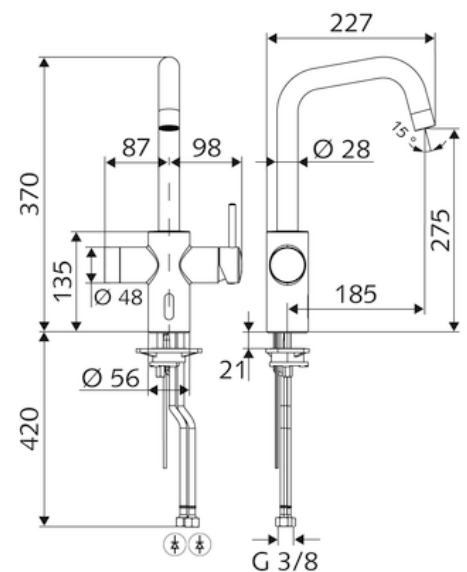
Versions:

Dimension: DN 10 G 3/8 internal thread
With Power supply unit 9 V, chrome, PU 1

Order No.: [00 243 06 99](#)

Recommended associated item:

SSC Bluetooth®-Module Order No.: [00 916 00 99](#)
angle valve with regulating function COMFORT with Order No.: [05 430 06 99](#)



filter

Strahlregler 4,5 l/min (5 LEED Punkte)

Order No.: [28 934 00 99](#)
