

**Vernis Shape**  
**Single lever basin mixer 100 with pop-up waste set**  
 Surfaces: **Chrome** Article Number: **71561000**



### Description

**product features**

- consists of: single lever basin mixer, waste set
- ComfortZone 100
- projection 110 mm
- spray type: normal spray
- swiveling spray former
- maximum flow rate at 3 bar: 5 l/min
- ceramic cartridge
- temperature limitation adjustable
- with isolated water conduction - without contact with nickel and lead
- suitable for continuous flow water heaters
- pop-up waste set G 1¼
- material waste set: synthetic
- connection type: G ¾ connections
- connection dimension: DN15

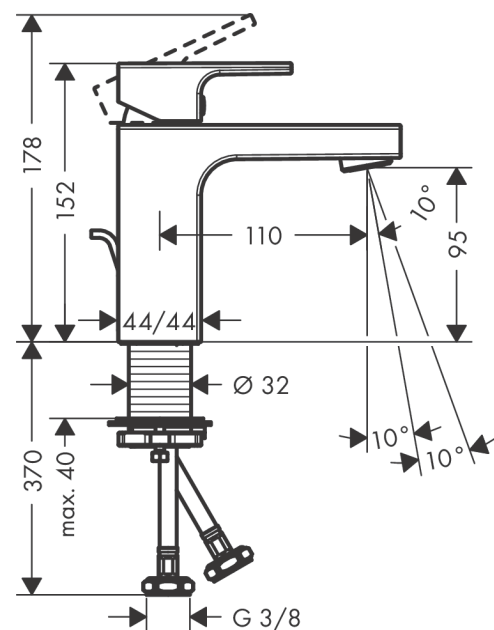
### Technology



### Product image



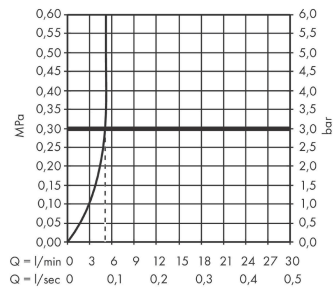
### Scale drawing



**Vernis Shape**  
**Single lever basin mixer 100 with pop-up waste set**  
 Surfaces: **Chrome** Article Number: **71561000**



**Flowchart**

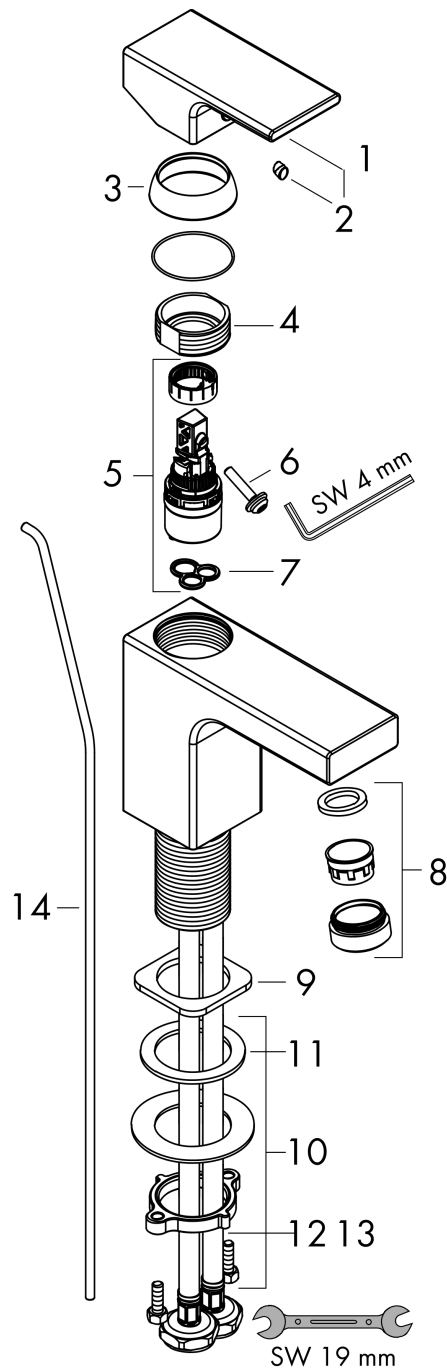


**Vernis Shape**  
**Single lever basin mixer 100 with pop-up waste set**  
 Surfaces: **Chrome** Article Number: **71561000**



**Exploded Drawing**

Year of production: >04/21



## Vernis Shape

### Single lever basin mixer 100 with pop-up waste set

Surfaces: **Chrome** Article Number: **71561000**



#### Spare part list

Year of production: >04/21

Pos.	Description	Article Number	Price	PU
1	handle	93684000	-	1
2	screw cover	96338000	-	1
3	flange	93680000	-	1
4	nut	93686000	-	1
5	cartridge, assy	97685000	-	1
6	locking screw for handle	95140000	-	1
7	seal	98865000	-	1
8	aerator swivelling M24x1 (5 l/min)	93834000	-	1
9	seal	93687000	-	1
10	fixing set (Ø 32)	13961000	-	1
11	lever collar	97548000	-	1
12	connection hose 600 mm M8x0,75 G3/8	96556000	-	1
13	O-ring 7x1,5	98422000	-	1
14	pull rod	93683000	-	1
a	pop up waste	92168000	-	1
b	fixation extension 35 mm	13898000	-	1