

Vernis Shape
Single lever bath mixer for concealed installation
 Surfaces: **Chrome** Article Number: **71458000**

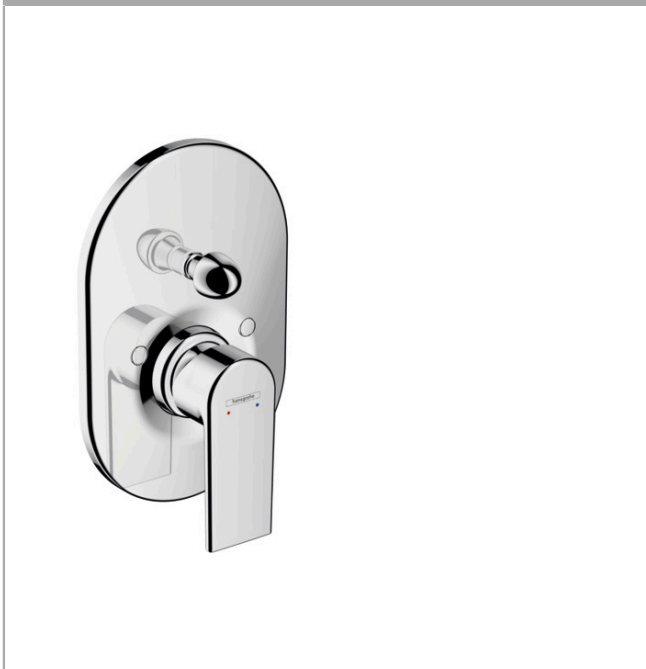


Description

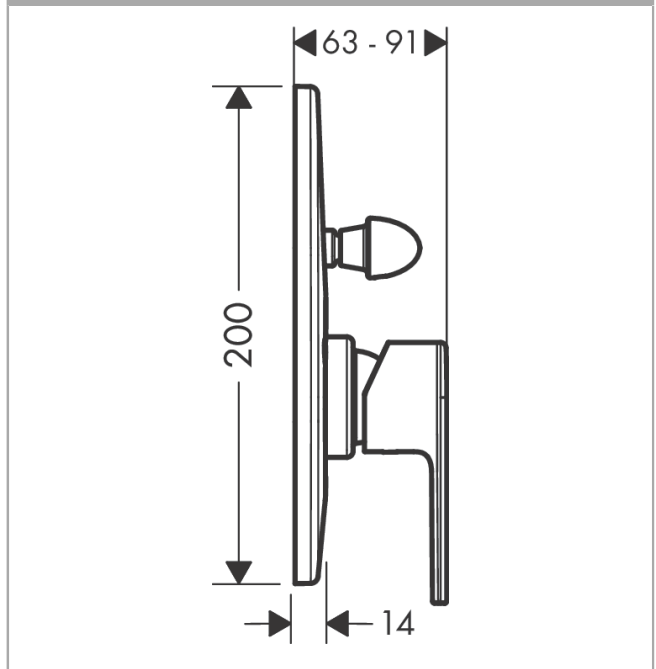
product features

- 2 functions
- connection type: basic set
- maximum flow rate at 3 bar: 30 l/min
- min. operating pressure: 1 bar
- max. operating pressure: 10 bar
- ceramic cartridge
- temperature limitation adjustable
- diverter with automatic resetting
- suitable for continuous flow water heaters

Product image



Scale drawing



Flowchart

