

**Vernis Shape**  
**Single lever shower mixer for exposed installation**  
 Surfaces: **Matt Black** Article Number: **71650670**



### Description

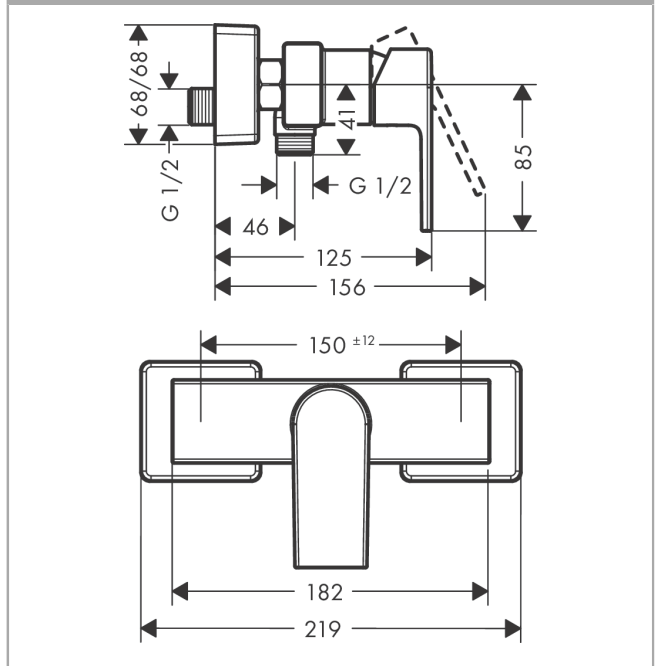
#### product features

- 1 function
- connection type: s-shaped connections
- flow rate of hand shower at 3 bar: 15,7 l/min
- ceramic cartridge
- min. operating pressure: 1 bar
- max. operating pressure: 10 bar
- temperature limitation adjustable
- non-return valve
- with silencer
- suitable for continuous flow water heaters
- hose connection DN15
- connection dimension: DN15

### Product image



### Scale drawing



### Flowchart

