

Finoris

Single lever basin mixer 110 with pop-up waste set

Surfaces: **Chrome** Article Number: **76020000**



Description

product features

- consists of: single lever basin mixer, waste set
- ComfortZone 110
- projection 139 mm
- spray type: laminar spray
- maximum flow rate at 3 bar: 5 l/min
- ceramic cartridge
- temperature limitation adjustable
- suitable for continuous flow water heaters
- pop-up waste set G 1¼
- material waste set: metal
- connection type: G ¾ connections
- connection dimension: DN15

Technology



Design awards

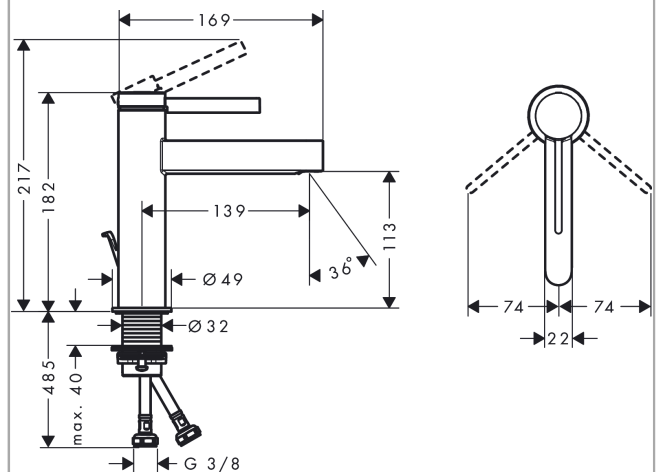


reddot winner 2021

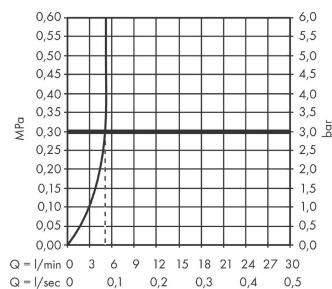
Product image



Scale drawing



Flowchart

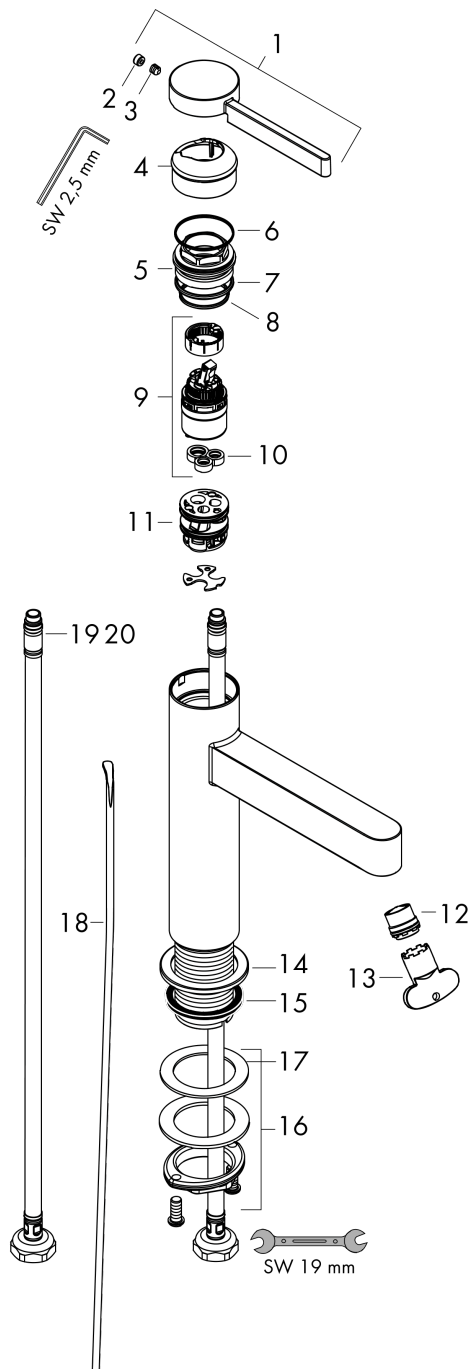


Finoris
Single lever basin mixer 110 with pop-up waste set
 Surfaces: **Chrome** Article Number: **76020000**



Exploded Drawing

Year of production: >06/21



Finoris

Single lever basin mixer 110 with pop-up waste set

Surfaces: **Chrome** Article Number: **76020000**



Spare part list

Year of production: >06/21

Pos.	Description	Article Number	Price	PU
1	handle	94266000	-	1
2	screw cover	93735460	-	1
3	hollow set screw M5x5	98446000	-	1
4	flange	93737000	-	1
5	nut	92926000	-	1
6	O-ring 30x1,5	98433000	-	1
7	O-ring 29x2	98391000	-	1
8	O-ring 25x1,5	98146000	-	1
9	cartridge, assy	93760000	-	1
10	seal	93383000	-	1
11	adapter for cartridge	98866000	-	1
12	spray former	93973000	-	1
13	special tool	98987000	-	1
14	escutcheon	94265000	-	1
15	flat seal	98749000	-	1
16	fixing set (Ø 32)	13961000	-	1
17	lever collar	97548000	-	1
18	pull rod	96657000	-	1
19	connection hose 600 mm M8x0,75 G3/8	96556000	-	1
20	O-ring 6,6x1,6	93019000	-	1
a	pop up waste	94139000	-	1
b	fixation extension 35 mm	13898000	-	1