



Faucets for commercial kitchens

Planning and technology



Strong and striking

The KWC GASTRO range is impressive from start to finish. A selection of classic designs that provide just what a commercial kitchen needs: high flow rate, easy access for pans and robust craftsmanship. Turn the faucet on and feel the power for yourself.





Contents

Hidden talents	4-5
Perfection – down to the last detail	6-7

Single lever mixers

Single lever mixers 3/4"	8-11
Single lever mixers 3/4" with pre-rinse spray	12-13
Single lever mixers 1/2"	14

Two handle mixers

Two handle mixers 3/4"	16-20
Two handle mixers 1/2"	21
Two handle mixers 1/2" with pre-rinse spray	22-24

Single handle

Faucets 1/2" with pre-rinse spray	25
-----------------------------------	----

Touch-free faucets

Single hole, deck mounted/two hole, wall mounted	26-27
--------------------------------------------------	-------

Spare parts	28-47
--------------------	-------

Accessories	47
--------------------	----

From the KWC kitchen range	48-49
-----------------------------------	-------

KWC – a tradition of innovation	50-51
----------------------------------------	-------

Hidden talents

Our complete high-tech range for professionals

KWC GASTRO faucets are designed for professional use and offer high performance in the kitchen. They combine good looks with thoroughgoing functionality. A glance at the key technical features demonstrates that true beauty often comes from within.



Valve

The turbocharger for two handle mixers. The upper components of KWC GASTRO faucets are highly durable, have a long service life and function smoothly and efficiently.



Handle

Superb functionality. The robust Corona chrome metal handles fit the hand perfectly and can be easily pulled off and cleaned. An optional anti-theft device is also available (see page 47).



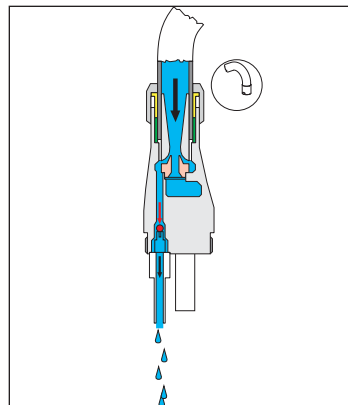
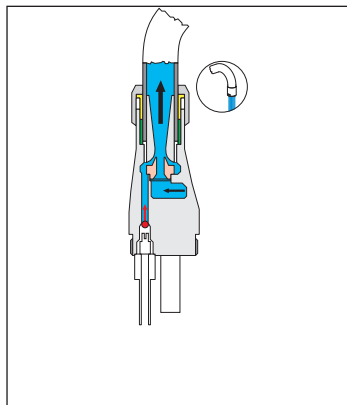
Cartridge

The KWC high capacity cartridge offers impressive performance throughout the temperature range. The tough ceramic disk is resistant to limescale and dirt, provides protection against water hammer and is very long lasting.



Single lever mixer

Convenient and accurate. Anyone with their hands full will appreciate how easy the single lever mixer is to use.



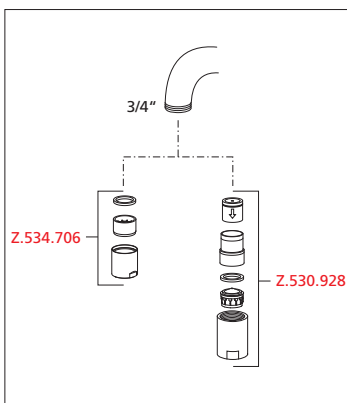
Spout drain mechanism

Water remaining in the faucet can cause hygiene problems. The automatic KWC spout drain mechanism offers a high-tech solution.

Models, see page 18

K.24.41.32.000C07

K.24.41.34.000C07



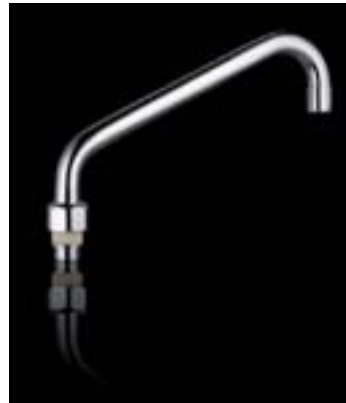
Drip-stop

No more irritating dripping. The drip-stop prevents the water remaining in the faucet from dripping out of the spout. It fits all KWC GASTRO 3/4" faucets and can be retrofitted at any time.



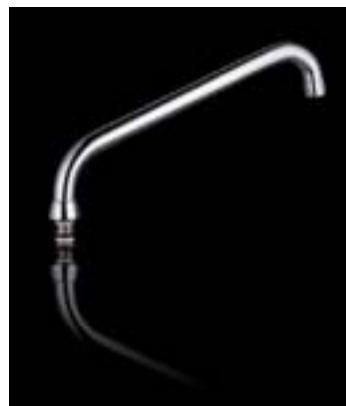
Gland

Robust, efficient, durable and thoroughly tried-and-tested. With special quick-tightening Teflon seal.



3/4" spout

The smooth-functioning, hard-wearing swivel spouts on KWC GASTRO faucets are available in 300 mm and 450 mm lengths. The 3/4" model is equipped with a gland and designed for high performance.



1/2" spout

The 1/2" model with its seal ring and O-ring offers reliable performance in less tough conditions where a lower flow rate is sufficient. A welcome addition to the KWC GASTRO range.



Non-return valve

Where faucets have a mixed water shut-off, there is a risk of the water circulating internally. The integral non-return valve in the KWC GASTRO range prevents this from happening.

Standards

In accordance with DIN 50930 part 6, brass faucets can be used without testing in all drinking water areas of Switzerland and Germany, providing, among other things, that the following upper limits for alloys are not exceeded:

Permitted proportion of lead: maximum 3,5%

KWC cast parts: maximum 1,2%

KWC turned parts: maximum 2% to 3%

Permitted proportion of arsenic: maximum 0,15%

KWC: < 0,05%

The brass used by KWC is sufficiently far below these limits to ensure that KWC faucets are also the ideal solution for sensitive applications.

Perfection – down to the last detail

Small but crucial differences

KWC GASTRO faucets are impact- and shock-resistant – virtually indestructible. A pillar of strength in the hectic atmosphere of a kitchen, they will perform efficiently for years on end. Simply turn on the faucet and one hundred plus litres of water a minute gush out, saving time and stress.



Support spring

Aesthetically pleasing, practical and innovative. The stainless steel spring provides effective support for the hose and adds the finishing touch to its attractive appearance.

Pre-rinse spray

Ergonomic design, easy to clean, top-class technology. With an integrated shock absorber to prevent damage to the faucet and a practical lever lock that allows it to be operated with one hand. Flow rate at 3 bar: 15 l/min. to prevent crockery being damaged by the water flow.





Wall bracket

Not only elegant, but useful to increase stability.



Extended wall bracket

For special applications and even more freedom of movement.



Free-standing bracket

Practical and space-saving, right next to the faucet.

Spray head

One handle, two spray patterns. Simply reverse the aerator to switch from a conical to a straight spray pattern. The special elastomer ring prevents damage to crockery.



Outstanding leverage

Always within reach

KWC GASTRO single lever mixers combine functionality with design appeal. Turning, swivelling and lever adjustment are all accomplished single-handed. Setting the right temperature was never so easy.



Cartridge

The robust, impact-resistant KWC high capacity cartridge lies at the heart of the single lever mixer solutions. It reacts to the smallest movement and produces high-precision results. The cartridge has been developed by KWC itself.





Single lever mixers 3/4"

With its elegant design and high-precision controls, the single lever mixer 3/4" has long since become an industry benchmark. It has a 360° swivel spout with an adjustable gland and a high capacity cartridge with a temperature limiter. It is also available with a pillar extension to give even easier access for pans.

Single hole, deck mounted



Lever mixer

- swivel spout 360°
- KWC High capacity cartridge with ceramic discs
- copper tubes $\varnothing 15$ mm
- fastening by means of threaded sleeve 1 1/4"
- mounting hole size $\varnothing 42$ mm
- Flow rate 40 l/min (3 bar)
- Acoustic group U

24.501.044.000

A 300 mm

24.501.046.000

A 450 mm



Lever mixer

- pillar 100 mm
- swivel spout 360°
- KWC High capacity cartridge with ceramic discs
- copper tubes $\varnothing 15$ mm
- fastening by means of threaded sleeve 1 1/4"
- mounting hole size $\varnothing 42$ mm
- Flow rate 40 l/min (3 bar)
- Acoustic group U

24.501.054.000

A 300 mm

24.501.056.000

A 450 mm



Lever mixer

- pillar 300 mm
- swivel spout 360°
- KWC High capacity cartridge with ceramic discs
- copper tubes $\varnothing 15$ mm
- fastening by means of threaded sleeve 1 1/4"
- mounting hole size $\varnothing 42$ mm
- Flow rate 40 l/min (3 bar)
- Acoustic group U

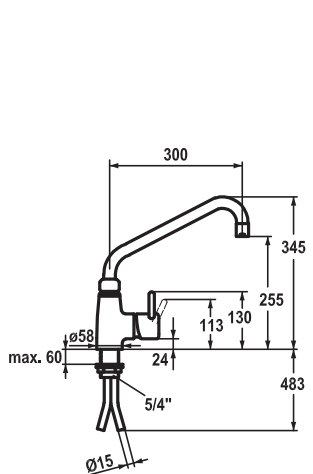
24.501.064.000

A 300 mm

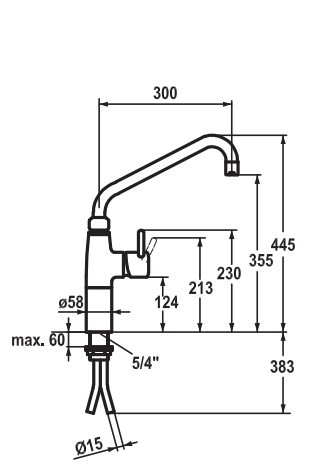
24.501.066.000

A 450 mm

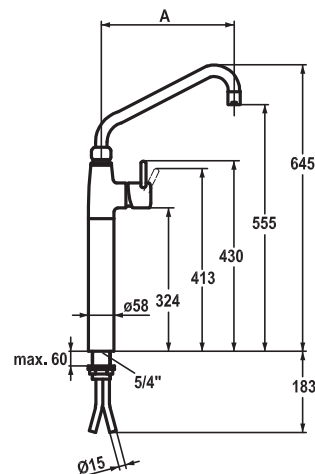
For spare parts, see page 30.



24.501.044.000 // 24.501.046.000



24.501.054.000 // 24.501.056.000



24.501.064.000 // 24.501.066.000

Two hole, deck mounted



Lever mixer

- swivel spout 360°
- KWC High capacity cartridge with ceramic discs
- pillar connections $\frac{3}{4}$ " x $\frac{3}{4}$ " L 45
K.30.99.35.000.46
- mounting hole size $\varnothing 30$ mm
- Flow rate 42 l/min (3 bar)
Acoustic group II

24.503.174.000

A 300 mm AD 153



Lever mixer

- swivel spout 360°
- KWC High capacity cartridge with ceramic discs
- pillar connections $\frac{3}{4}$ " x $\frac{3}{4}$ " L 195
K.30.99.36.000.46
- mounting hole size $\varnothing 30$ mm
- Flow rate 42 l/min (3 bar)
Acoustic group II

24.503.184.000

A 300 mm AD 153

Wall mounted



Lever mixer

- swivel spout
- KWC High capacity cartridge with ceramic discs
- wall connections $\frac{3}{4}$ " x $\frac{3}{4}$ ", without shut-off valve L 40 eccentric 7.5 mm,
K.30.99.01.000.46
- Flow rate 40 l/min (3 bar)
Acoustic group U

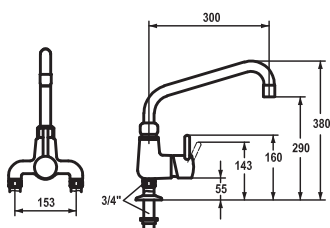
24.502.194.000

A 300 mm AD 153±8

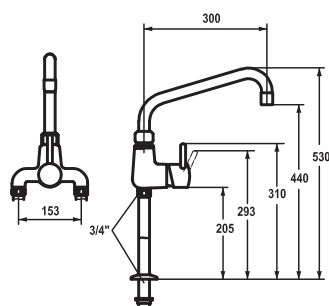
24.502.196.000

A 450 mm AD 153±8

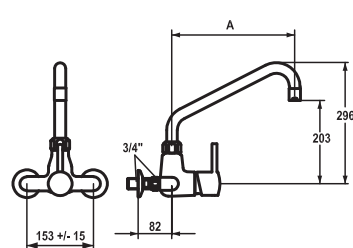
For spare parts, see pages 31.



24.503.174.000



24.503.184.000



24.502.194.000 // 24.502.196.000

Single lever mixers 3/4" with pre-rinse spray

The faucet with additional functionality for increased efficiency. Easy to use and ideal for rinsing off pans and crockery before and after washing.

Available with or without spout, in single hole or two hole, wall or deck mounted versions.



Single hole, deck mounted



Lever mixer

- suspension spring
- intrinsically safe against backflow
- pre-rinse spray
- KWC High capacity cartridge with ceramic discs
- copper tubes $\varnothing 15$ mm
- fastening by means of threaded sleeve 1 1/4"
- mounting hole size $\varnothing 42$ mm
- Spray: Flow rate 18 l/min (3 bar)
Acoustic group II

24.501.130.000



Lever mixer

- suspension spring
- intrinsically safe against backflow
- swivel spout
- pre-rinse spray
- KWC High capacity cartridge with ceramic discs
- copper tubes $\varnothing 15$ mm
- fastening by means of threaded sleeve 1 1/4"
- mounting hole size $\varnothing 42$ mm
- Flow rate 40 l/min (3 bar)
- Spray: Flow rate 18 l/min (3 bar)
Acoustic group II

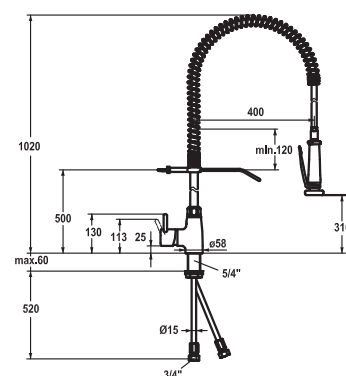
24.501.144.000

A 200 mm B 270 mm

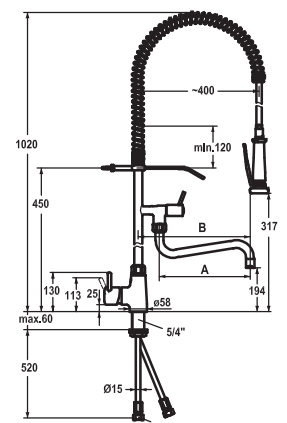
24.501.146.000

A 300 mm B 370 mm

For spare parts, see page 32.



24.501.130.000



24.501.144.000 // 24.501.146.000

Two hole, deck mounted



Lever mixer

- suspension spring
 - intrinsically safe against backflow
 - swivel spout
 - pre-rinse spray
 - KWC High capacity cartridge with ceramic discs
 - pillar connections 1/2" x 3/4" L 130 K.30.99.34.000.44
 - mounting hole size ø22 mm
 - Flow rate 28 l/min (3 bar)
 - Spray: Flow rate 18 l/min (3 bar)
- Acoustic group II

24.503.114.000

A 200 mm B 270 mm AD 153

Wall mounted



Lever mixer

- suspension spring
 - intrinsically safe against backflow
 - swivel spout
 - pre-rinse spray
 - KWC High capacity cartridge with ceramic discs
 - wall connections 1/2" x 3/4", without shut-off valve L 40 eccentric 4 mm K.30.99.01.000.44
 - Flow rate 20 l/min (3 bar)
 - Spray: Flow rate 18 l/min (3 bar)
- Acoustic group II

24.502.164.000

A 200 mm B 270 mm AD 153±8

24.502.166.000

A 300 mm B 370 mm AD 153±8



Lever mixer

- suspension spring
 - intrinsically safe against backflow
 - swivel spout
 - pre-rinse spray
 - KWC High capacity cartridge with ceramic discs
 - pillar connections 1/2" x 3/4" L 340 K.30.99.33.000.44
 - mounting hole size ø22 mm
 - Flow rate 28 l/min (3 bar)
 - Spray: Flow rate 18 l/min (3 bar)
- Acoustic group II

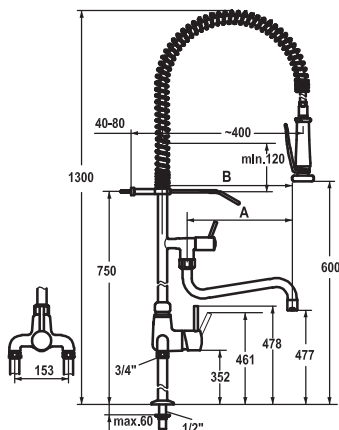
24.503.124.000

A 200 mm B 270 mm AD 153

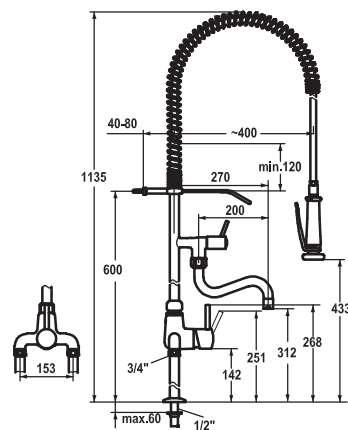
24.503.126.000

A 300 mm B 370 mm AD 153

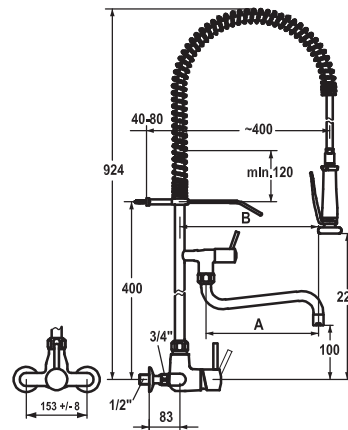
For spare parts, see page 33/34.



24.503.114.000



24.503.124.000 // 24.503.126.000



24.502.164.000 // 24.502.166.000

Single lever mixer 1/2"

The complementary range for the washbasin area.

The smaller cartridge and lower flow rate make it the perfect solution for an additional sink unit in a professional environment. It has an extended, ergonomic lever.

Single hole, deck mounted



Lever mixer

- swivel spout 160°
- KWC universal cartridge with ceramic discs
- copper tubes $\varnothing 10$ mm
- fastening by means of threaded sleeve M33 x 1.5
- mounting hole size $\varnothing 35$ mm

24.501.103.000

A 225 mm

24.501.104.000

A 300 mm



Lever mixer

- swivel spout 120°
- KWC universal cartridge with ceramic discs
- wall connections $\frac{1}{2}$ " x $\frac{3}{4}$ ", with shut-off valve L 40 eccentric 7.5 mm, K.30.80.06.000.44

K.24.62.14.000B91

A 300 mm

K.24.62.16.000B91

A 300 mm



Lever mixer

- swivel spout 120°
- KWC universal cartridge with ceramic discs
- pillar connections $\frac{1}{2}$ " x $\frac{3}{4}$ " L 55 K.30.89.44.000.44
- mounting hole size $\varnothing 22$ mm

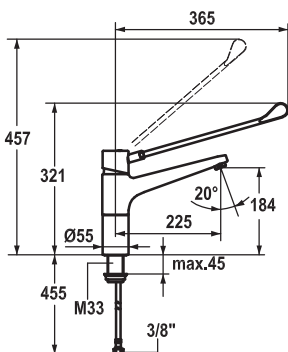
K.24.62.44.000B87

A 300 mm AD 150±15

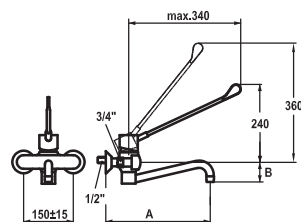
K.24.62.46.000B87

A 400 mm AD 150±15

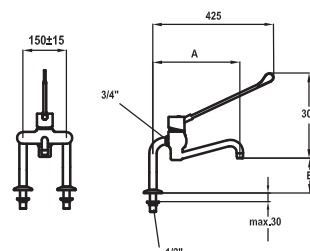
For spare parts, see page 35.



24.501.103.000 // 24.501.104.000



K.24.62.14.000B91 // K.24.62.16.000B91



K.24.62.44.000B87 // K.24.62.46.000B87

The power of two

Hot and cold perfection

Working under pressure leaves no time for compromises, particularly when it comes to faucets. That's when it's comforting to know that the KWC two handle mixer will deliver the water you need, at just the right temperature and amount. It's a pleasure to use!



Valve

There's a lot to say about this valve, but not much to quibble over. It's designed to function effectively and efficiently. Simply turn the faucet on and the water will come pouring out of the spout at full force. Again and again and again. The water flow can be easily and accurately adjusted. The valve seat is made of stainless steel.





Two handle mixers 3/4"

The two handle mixer 3/4" is all about water power. The perfect faucet for commercial kitchens, where performance and ease of use are crucial. Available in a variety of spout lengths and pillar heights.

Single hole, deck mounted



Two-handle mixer

- KWC CORONA metal handle, removable
- swivel spout 360°
- stainless steel valve seat
- flat valves M20 x 1.25
- copper tubes ø15 mm
- fastening by means of threaded sleeve 1 1/4"
- mounting hole size ø42 mm
- Flow rate 80 l/min (3 bar)

K.24.41.04.000C07

A 300 mm

K.24.41.06.000C07

A 450 mm



Two-handle mixer

- KWC CORONA metal handle, removable
- swivel spout 360°
- stainless steel valve seat
- flat valves M20 x 1.25
- copper tubes ø15 mm
- fastening by means of threaded sleeve 1 1/4"
- mounting hole size ø42 mm
- Flow rate 80 l/min (3 bar)

K.24.41.A2.000C07

A 300 mm

Single hole, deck mounted, with pillar



Two-handle mixer

- pillar 300 mm
- KWC CORONA metal handle, removable
- swivel spout 360°
- stainless steel valve seat
- flat valves M20 x 1.25
- copper tubes ø15 mm
- fastening by means of threaded sleeve 1 1/4"
- mounting hole size ø42 mm
- Flow rate 80 l/min (3 bar)

K.24.41.20.000C07

A 300 mm

K.24.41.21.000C07

A 450 mm



Two-handle mixer

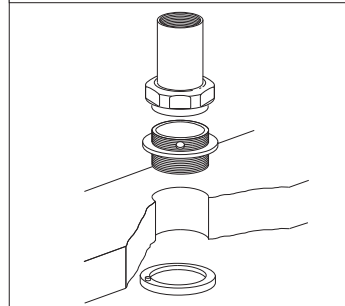
- pillar 300 mm
- KWC CORONA metal handle, removable
- automatic outlet draining
- preassembled socket
- swivel spout 360°
- stainless steel valve seat
- flat valves M20 x 1.25
- mounting hole size ø62 mm
- Flow rate 80 l/min (3 bar)

K.24.41.32.000C07

A 300 mm

K.24.41.34.000C07

A 450 mm

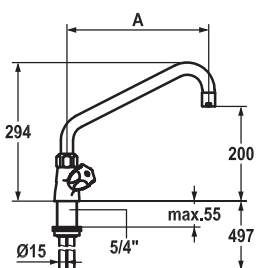


KWC deck pillar

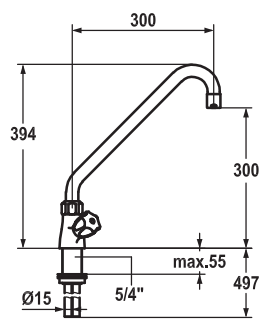
- separate pillar assembly for advance installation
- Locking device
- Work surface thickness max. 20 mm
- Installation hole ø 62 mm

- To save time during the installation, the pillar can be fitted in advance by the kitchen installer.

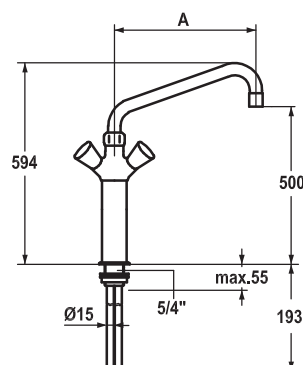
For spare parts, see pages 36/37.



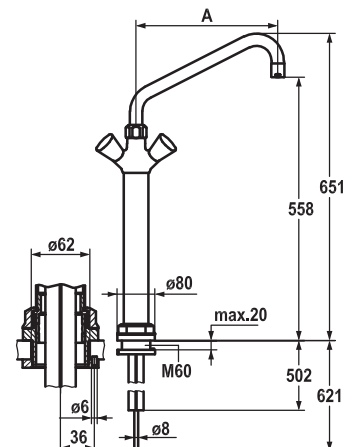
K.24.41.04.000C07 // K.24.41.06.000C07



K.24.41.A2.000C07



K.24.41.20.000C07 // K.24.41.21.000C07



K.24.41.32.000C07 // K.24.41.34.000C07

Wall mounted



- Two-handle mixer**
- KWC CORONA metal handle, removable
 - swivel spout
 - stainless steel valve seat
 - flat valves M20 x 1.25
 - wall connections $\frac{3}{4}$ " x $\frac{3}{4}$ ", without shut-off valve L 40 eccentric 7.5 mm, K.30.99.01.000.46
 - Flow rate 105 l/min (3 bar)
- Acoustic group U

K.24.42.11.000C86
A 300 mm AD 153±15



- Two-handle mixer**
- KWC CORONA metal handle, removable
 - swivel spout
 - stainless steel valve seat
 - flat valves M20 x 1.25
 - wall connections $\frac{3}{4}$ " x $\frac{3}{4}$ ", without shut-off valve L 40 eccentric 7.5 mm, K.30.99.01.000.46
 - Flow rate 105 l/min (3 bar)
- Acoustic group U

K.24.42.21.000C86
A 300 mm AD 153±15
K.24.42.24.000C86
A 450 mm AD 153±15



- Two-handle mixer**
- KWC CORONA metal handle, removable
 - swivel spout
 - stainless steel valve seat
 - flat valves M20 x 1.25
 - wall connections $\frac{3}{4}$ " x $\frac{3}{4}$ ", without shut-off valve L 160 eccentric 7.5 mm, K.30.99.14.000.46
 - Flow rate 105 l/min (3 bar)
- Acoustic group U

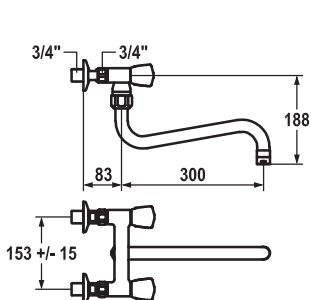
K.24.42.22.000C74
A 300 mm AD 153



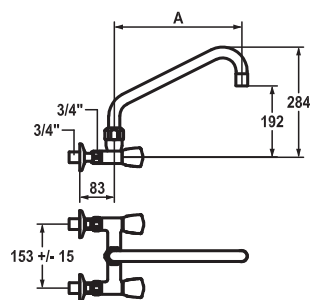
- Two-handle mixer**
- KWC CORONA metal handle, removable
 - intrinsically safe against backflow
 - threaded outlet for hose connection
 - stainless steel valve seat
 - flat valves M20 x 1.25
 - wall connections $\frac{3}{4}$ " x $\frac{3}{4}$ ", without shut-off valve L 40 eccentric 7.5 mm, K.30.99.01.000.46
 - Flow rate 105 l/min (3 bar)
- Acoustic group U

K.24.42.17.000C86
AD 153±15 G $\frac{3}{4}$ "
K.24.42.19.000C86
AD 153±15 DN 20x $\frac{3}{4}$ "

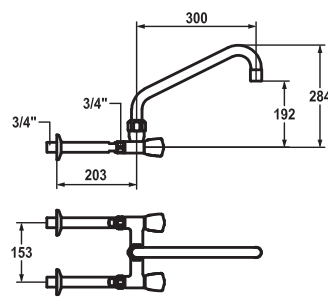
For spare parts, see pages 38/39.



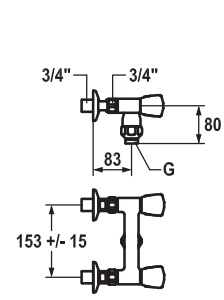
K.24.42.11.000C86



K.24.42.21.000C86 // K.24.42.24.000C86



K.24.42.22.000C74



K.24.42.17.000C86 // K.24.42.19.000C86

Two handle mixers 3/4"

Single handle faucets 3/4"

Two hole, deck mounted



Two-handle mixer

- KWC CORONA metal handle, removable
- swivel spout 360°
- stainless steel valve seat
- flat valves M20 x 1.25
- pillar connections 3/4" x 3/4" L 45
- K.30.99.35.000.46
- mounting hole size $\varnothing 28$ mm
- Flow rate 100 l/min (3 bar)
- Acoustic group U

K.24.42.41.000C74

AD 153, A 300 mm, B 252, C 345

K.24.42.42.000C74

AD 153, A 300 mm, B 356, C 449

Wall mounted / Shut-off valve



Wall mounted faucet 3/4"

- KWC CORONA metal handle, removable (cold water)
- swivel spout
- with adjustable gland
- jet regulator
- stainless steel valve seat
- flat valves M20 x 1.25
- connecting thread 3/4"
- Flow rate 86 l/min (3 bar)
- Acoustic group U

K.25.40.14.000C35

A 300 mm

K.25.40.16.000C35

A 450 mm



Two-handle mixer

- KWC CORONA metal handle, removable
- swivel spout 360°
- stainless steel valve seat
- flat valves M20 x 1.25
- connecting thread 3/4"
- mounting hole size $\varnothing 28$ mm
- Flow rate 110 l/min (3 bar)
- Acoustic group U

K.24.42.E1.000C35

AD 153, A 300 mm, B 210, C 305

K.24.42.E2.000C35

AD 153, A 300 mm, B 315, C 410

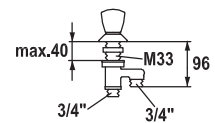
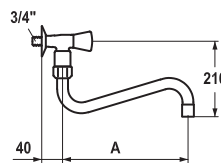
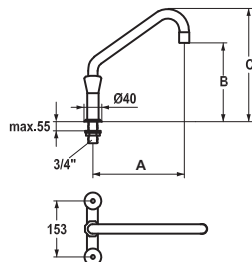
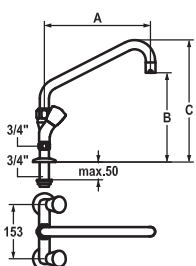


Shut-off valve

- KWC CORONA metal handle, removable (hot water to be requested when ordering)
- stainless steel valve seat
- flat valves M25 x 1.25
- connecting thread 3/4"
- fastening by means of threaded sleeve M33 x 1.5
- mounting hole size $\varnothing 35$ mm
- Flow rate 110 l/min (3 bar)
- Acoustic group U

K.24.40.00.000C35

For spare parts, see page 39/40.



Two handle mixers 1/2"

Ideal for the washbasin area – the KWC GASTRO 1/2" range.

The perfect complement for the high-performance faucet.

Normal O-ring seals, available in deck or wall mounted models.

Single hole, deck mounted



Two-handle mixer

- KWC CORONA metal handle, removable
- swivel spout 160°
- stainless steel valve seat
- flat valves M20 x 1.25
- copper tubes ø10 mm
- fastening by means of threaded sleeve M33 x 1.5
- mounting hole size ø35 mm
- Flow rate 30 l/min (3 bar)
- Acoustic group U

K.24.41.24.000C02
A 300 mm

Two hole, deck mounted



Two-handle mixer

- KWC CORONA metal handle, removable
- swivel spout 180°
- stainless steel valve seat
- flat valves M20 x 1.25
- connecting thread 1/2"
- mounting hole size ø22 mm
- Flow rate 42 l/min (3 bar)
- Acoustic group U

K.24.42.K1.000C34
AD 153, A 250 mm, B 215, C 297
K.24.42.K3.000C34
AD 153, A 250 mm, B 310, C 392
K.24.42.K5.000C34
AD 153, A 350 mm, B 215, C 297

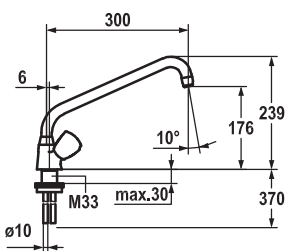


Two-handle mixer

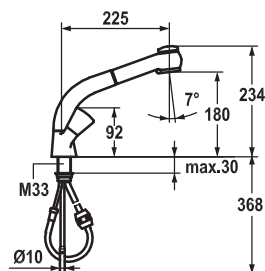
- detachable for installation below windows
- KWC CORONA metal handle, removable
- pull-out spray with KWC JETCLEAN
- hose guide, swivelling 160°
- stainless steel valve seat
- flat valves M20 x 1.25
- copper tubes ø10 mm
- fastening by means of threaded sleeve M33 x 1.5
- mounting hole size ø35 mm
- Flow rate normal spray 12 l/min (3 bar)
- Flow rate needle spray 13 l/min (3 bar)
- Acoustic group I

K.10.41.03.000C03
A 225 mm

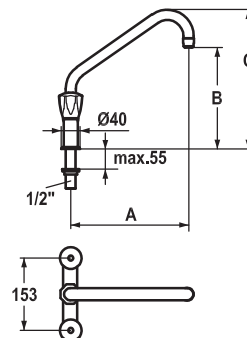
For spare parts, see page 40/41.



K.24.41.24.000C02



K.10.41.03.000C03



K.24.42.K1.000C34
K.24.42.K3.000C34 // K.24.42.K5.000C34

Two handle mixers 1/2" with pre-rinse spray

The two handle mixer with pre-rinse spray is easy to use, trim and tidy. High-quality materials, the latest technology, plus ergonomic and functional design, all in one compact faucet.

Single hole, deck mounted



Two-handle mixer

- suspension spring
- KWC CORONA metal handle, removable
- intrinsically safe against backflow
- pre-rinse spray
- stainless steel valve seat
- flat valves M20 x 1.25
- copper tubes \varnothing 10 mm
- fastening by means of threaded sleeve M33 x 1.5
- mounting hole size \varnothing 35 mm
- Spray: Flow rate 18 l/min (3 bar)
- Acoustic group II

K.24.41.60.000C06



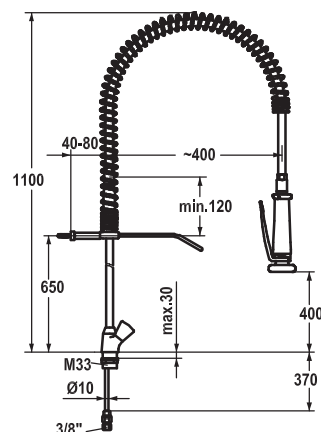
Two-handle mixer

- suspension spring
- KWC CORONA metal handle, removable
- intrinsically safe against backflow
- swivel spout 180°
- pre-rinse spray
- stainless steel valve seat
- flat valves M20 x 1.25
- copper tubes \varnothing 10 mm
- fastening by means of threaded sleeve M33 x 1.5
- mounting hole size \varnothing 35 mm
- Flow rate 25 l/min (3 bar)
- Spray: Flow rate 18 l/min (3 bar)
- Acoustic group II

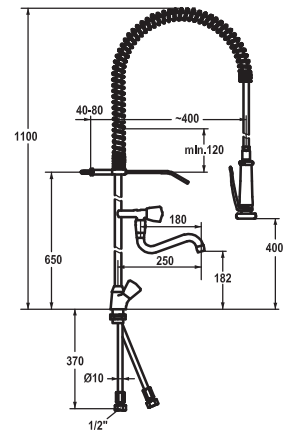
K.24.41.61.000C06

A 250 mm

For spare parts, see page 42.



K.24.41.60.000C06



K.24.41.61.000C06

Two hole, deck mounted



Two-handle mixer

- KWC CORONA metal handle, removable
- intrinsically safe against backflow
- pre-rinse spray
- stainless steel valve seat
- flat valves M20 x 1.25
- pillar connections 1/2" x 3/4" L 130 K.30.99.33.000.44
- mounting hole size ø22 mm
- Spray: Flow rate 18 l/min (3 bar) Acoustic group I

K.24.42.62.000C71
AD 153



Two-handle mixer

- suspension spring
- KWC CORONA metal handle, removable
- intrinsically safe against backflow
- swivel spout 180°
- pre-rinse spray
- stainless steel valve seat
- flat valves M20 x 1.25
- pillar connections 1/2" x 3/4" L 130 K.30.99.33.000.44
- mounting hole size ø22 mm
- Flow rate 28 l/min (3 bar)
- Spray: Flow rate 18 l/min (3 bar) Acoustic group II

K.24.42.64.000C71
A 300 mm AD 153

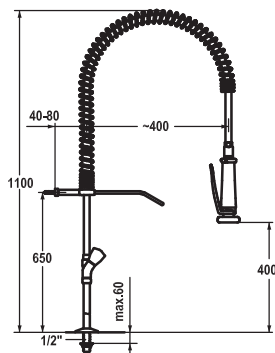


Two-handle mixer

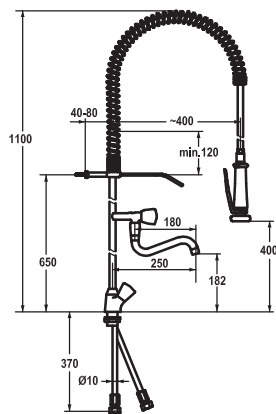
- suspension spring
- KWC CORONA metal handle, removable
- intrinsically safe against backflow
- swivel spout 180°
- pre-rinse spray
- stainless steel valve seat
- flat valves M20 x 1.25
- pillar connections 1/2" x 3/4" L 130 K.30.99.33.000.44
- mounting hole size ø22 mm
- Flow rate 28 l/min (3 bar)
- Spray: Flow rate 18 l/min (3 bar) Acoustic group I

K.24.42.61.000C71
A 250 mm AD 153

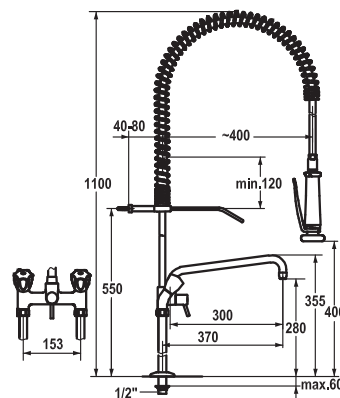
For spare parts, see page 43/44.



K.24.42.62.000C71



K.24.42.61.000C71



K.24.42.64.000C71

Two handle mixers 1/2" with pre-rinse spray

Two hole, wall mounted



Two-handle mixer

- suspension spring
- KWC CORONA metal handle, removable
- intrinsically safe against backflow
- pre-rinse spray
- stainless steel valve seat
- flat valves M20 x 1.25
- wall connections 1/2" x 3/4", without shut-off valve L 40 eccentric 4 mm, K.30.99.01.000.44
- Spray: Flow rate 18 l/min (3 bar)
Acoustic group I

K.24.42.70.000C78
AD 153±8

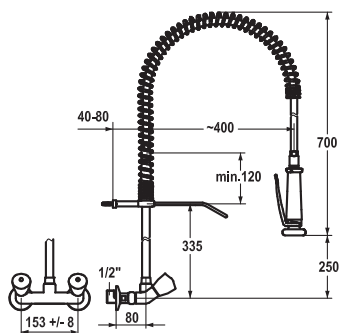


Two-handle mixer

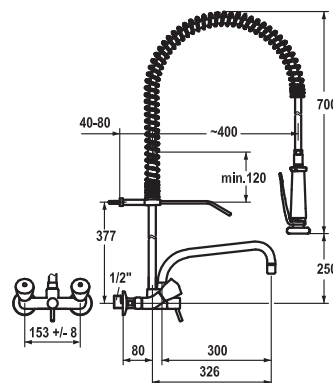
- suspension spring
- KWC CORONA metal handle, removable
- intrinsically safe against backflow
- swivel spout 180°
- pre-rinse spray
- stainless steel valve seat
- flat valves M20 x 1.25
- wall connections 1/2" x 3/4", without shut-off valve L 40 eccentric 4 mm, K.30.99.01.000.44
- Flow rate 28 l/min (3 bar)
Spray: Flow rate 18 l/min (3 bar)
Acoustic group II

K.24.42.74.000C78
A 300 mm AD 153±8

For spare parts, see page 45.



K.24.42.70.000C78



K.24.42.74.000C78

Single handle faucets 1/2" with pre-rinse spray

Single handle faucets complete the KWC GASTRO range. They can be used anywhere where a mixer function is not required. They are also ideally suited as shut-off valves.

Single hole, deck mounted



Vertical shut-off valve

- suspension spring
- KWC CORONA metal handle, removable (cold water)
- pre-rinse spray
- stainless steel valve seat
- flat valves M20 x 1.25
- connecting thread 1/2"
- mounting hole size $\varnothing 22$ mm
- Spray: Flow rate 18 l/min (3 bar)
Acoustic group II

K.24.40.60.000C34

Single hole, wall mounted

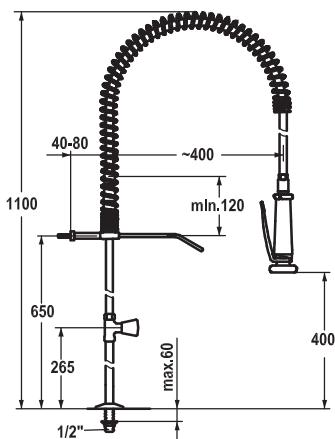


Corner valve

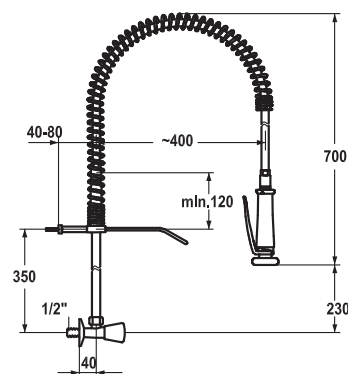
- suspension spring
- KWC CORONA metal handle, removable
- pre-rinse spray
- stainless steel valve seat
- flat valves M20 x 1.25
- connecting thread 1/2"
- Spray: Flow rate 18 l/min (3 bar)
Acoustic group II

K.24.40.70.000C34

For spare parts, see page 46.



K.24.40.60.000C34



K.24.40.70.000C34

Telepathy

The faucet that reads your mind.

KWC TRONIC is a high-tech faucet with a completely new dimension.

An integral infrared sensor allows it to work as if by magic and provide water without manual contact.

Practical, hygienic and impressive: KWC at its best.



Look, no hands

Anyone with both hands full will love KWC TRONIC. The electronic control system with dual infrared sensors switches the jet of water on and off without manual contact and makes life in a commercial kitchen even more hygienic and efficient.

Single hole, deck mounted



Automatic

- without mixing
 - microprocessor-control
 - fixed spout
 - electrovalve
 - flexible connection hoses 3/8"
 - fastening by means of stud bolt M8 x 1
 - mounting hole size $\varnothing 35$ mm
 - Flow rate 6 l/min (3 bar)
- Acoustic group I

K.12.JB.52M000B23

with battery
without drain valve

K.12.JB.52.000B23

with battery
without drain valve

Wall mounted

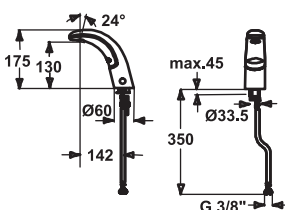


KWC TRONIC with infrared control system

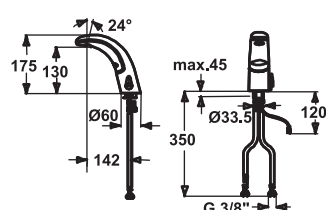
- 6 V DC lithium battery
- Fixed spout
- Infrared sensors (automatic adjustment)
- Microprocessor-controlled electronics
- Temperature adjustment using ceramic cartridge
- Adjustable shut-off delay
- Operating pressure 0,5 to 10 bar
- Non-return valve
- 6 V lithium battery CRP 2, service life approx. 3 years
- Lockable eccentric wall connections K.30.80.06.000.44 1/2" x 3/4"
- Flow rate at 3 bar: 6 l/min.

11.602.053.000

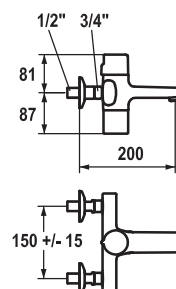
For spare parts, see page 47.



K.12.JB.52M000B23



K.12.JB.52.000B23



11.602.053.000

The finer details

Small parts with a big impact.

KWC faucets not only look good on the outside, they are also well designed on the inside. Discover just what we mean on the following pages.

Not intended as inspiration for copycats – rather, convincing proof of how generally easy it is to replace this or the other part.





Spare parts



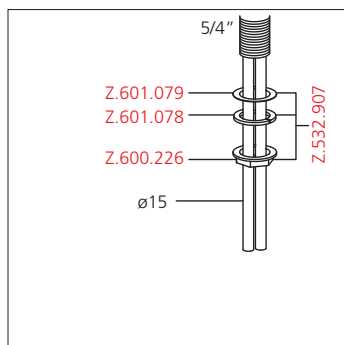
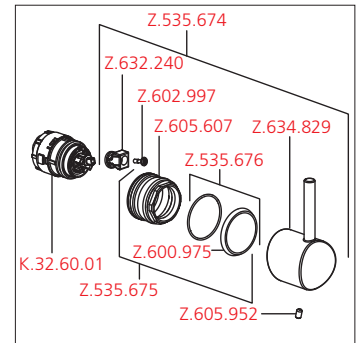
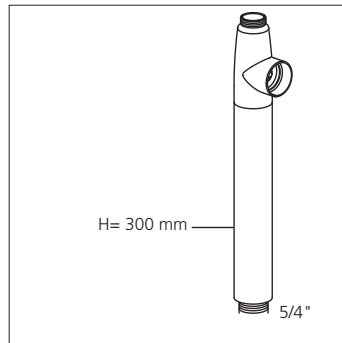
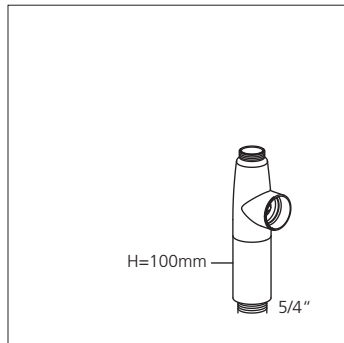
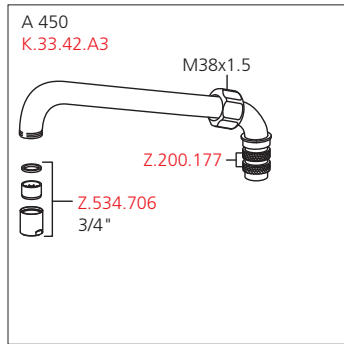
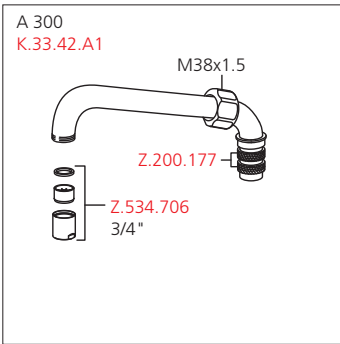
24.501.044.000
24.501.046.000
Faucet page 10



24.501.054.000
24.501.056.000
Faucet page 10



24.501.064.000
24.501.066.000
Faucet page 10





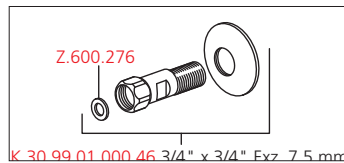
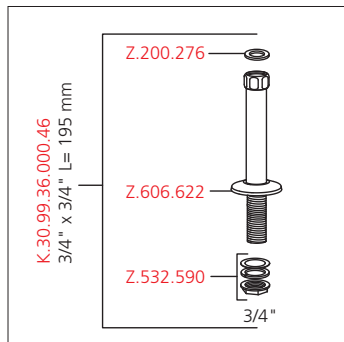
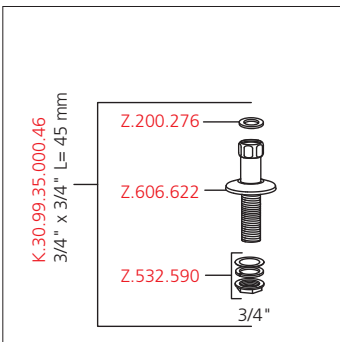
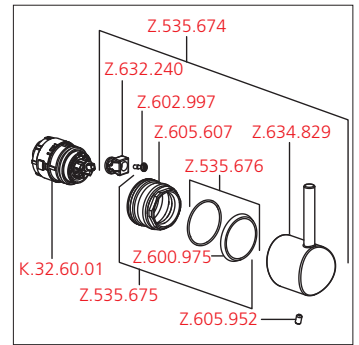
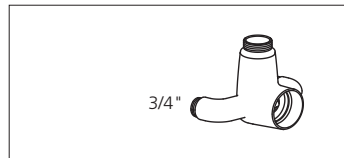
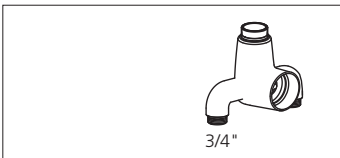
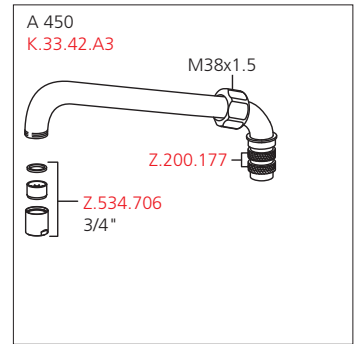
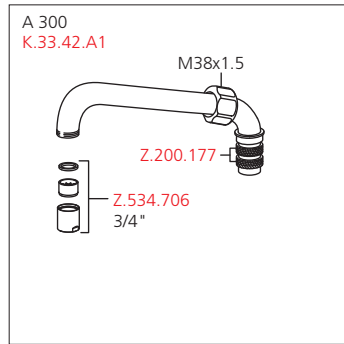
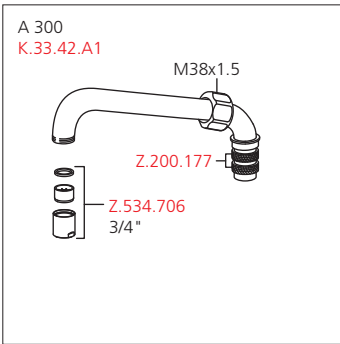
24.503.174.000
Faucet page 11



24.503.184.000
Faucet page 11



24.502.194.000
24.502.196.000
Faucet page 11



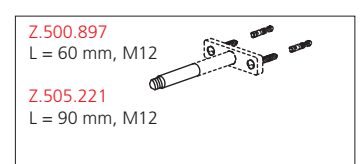
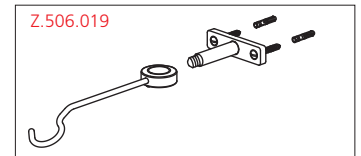
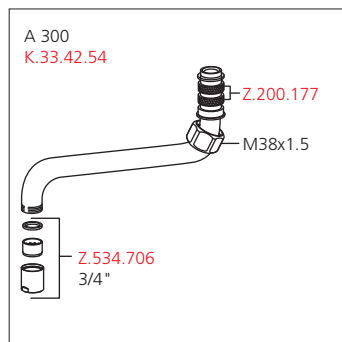
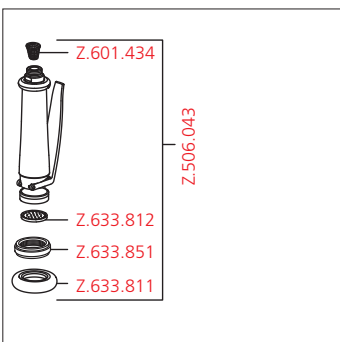
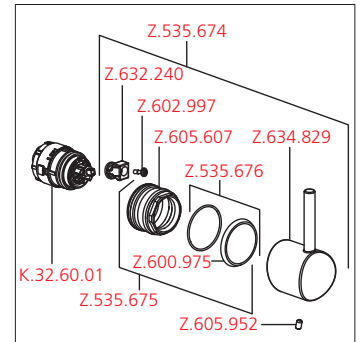
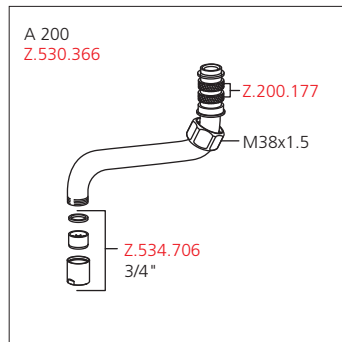
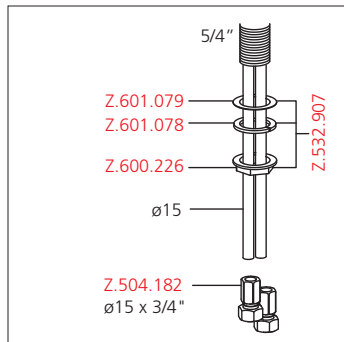
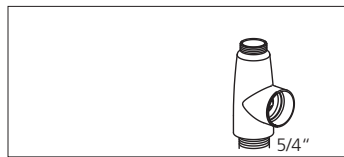
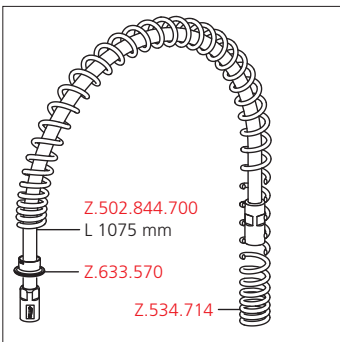
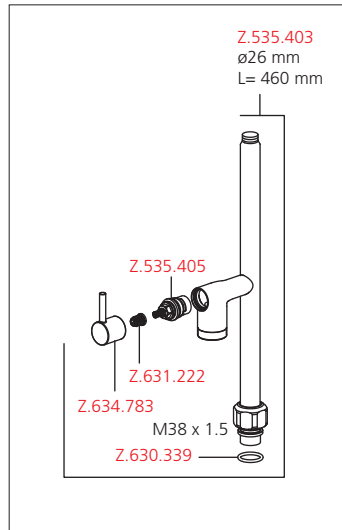
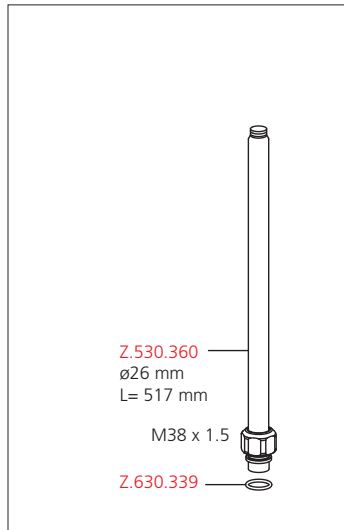
Spare parts



24.501.130.000
Faucet page 12



24.501.144.000
24.501.146.000
Faucet page 12

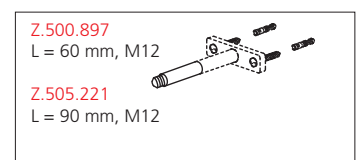
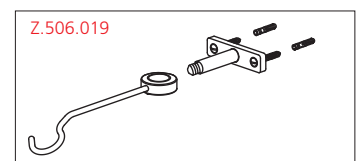
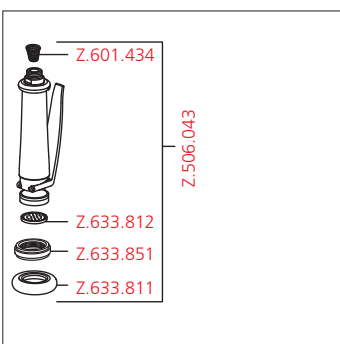
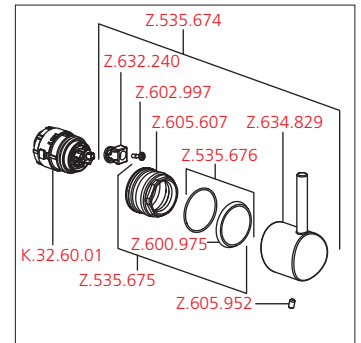
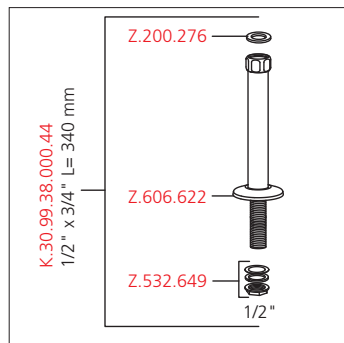
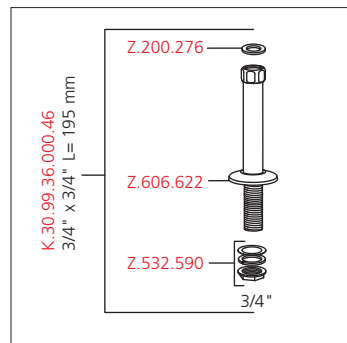
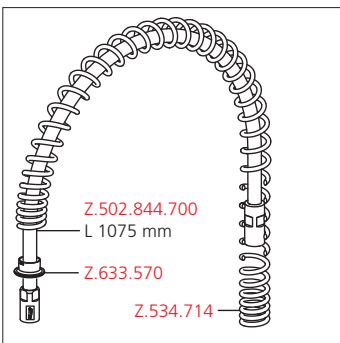
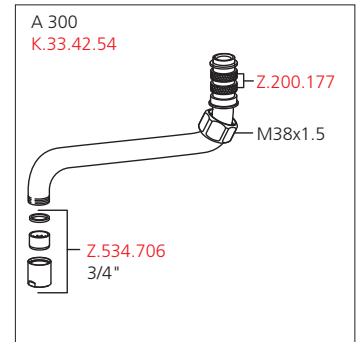
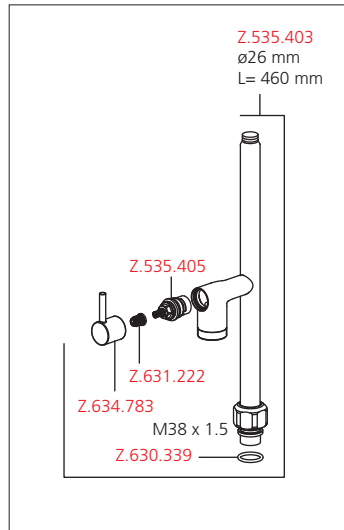
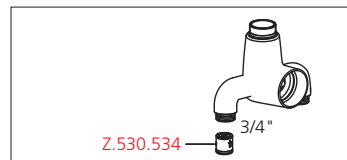
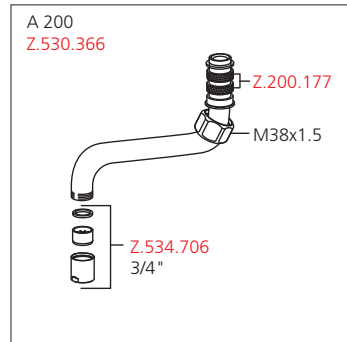
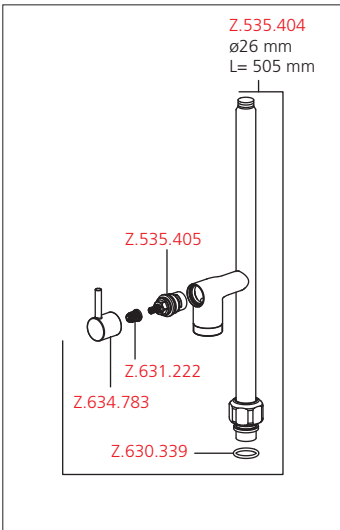




24.503.114.000
Faucet page 13



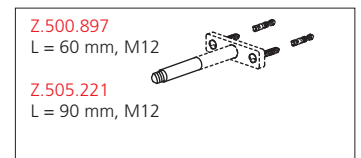
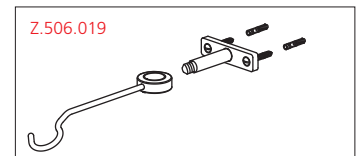
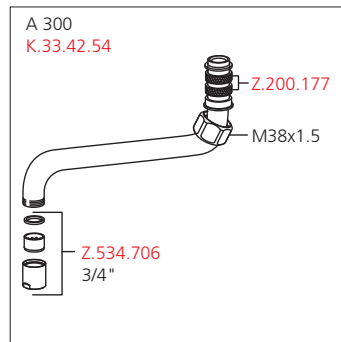
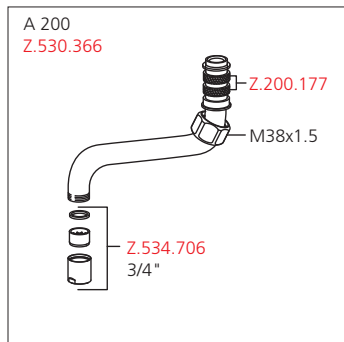
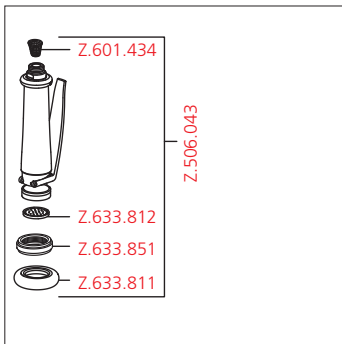
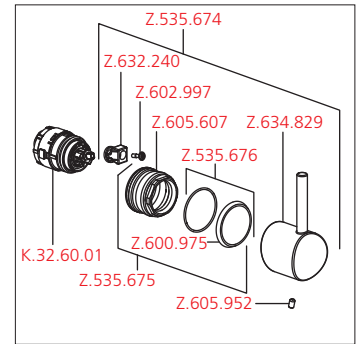
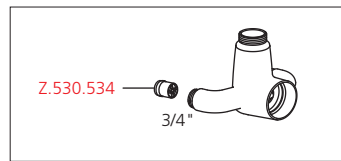
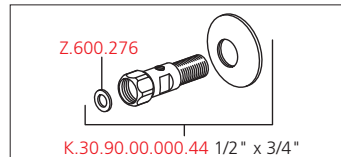
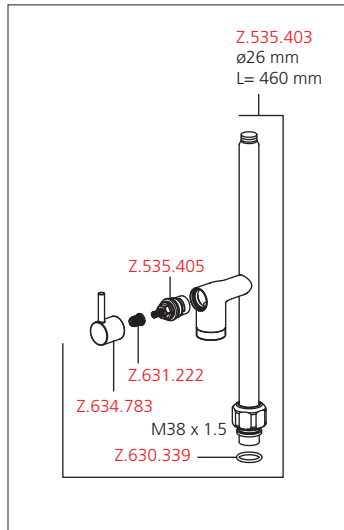
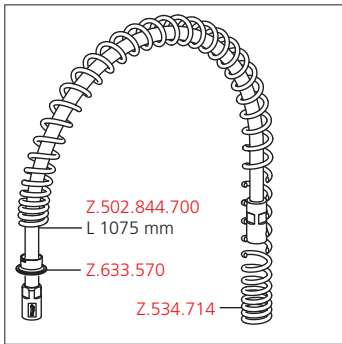
24.503.124.000
24.503.126.000
Faucet page 13



Spare parts



24.502.164.000
24.502.166.000
Faucet page 13





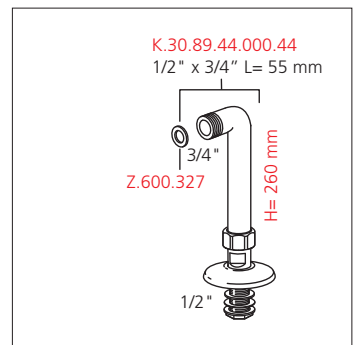
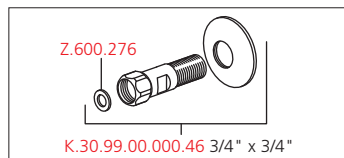
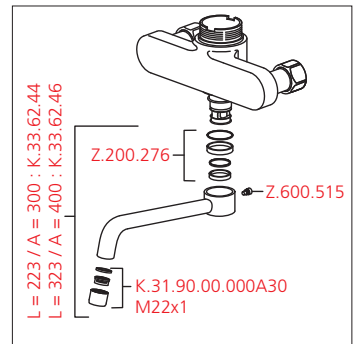
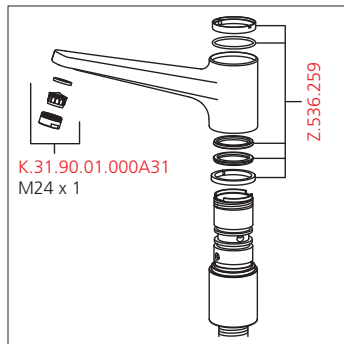
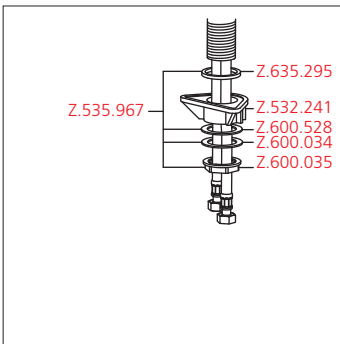
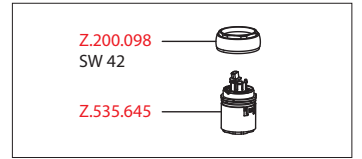
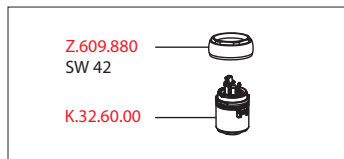
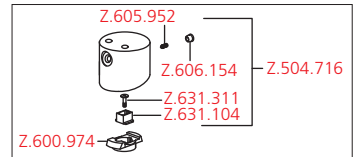
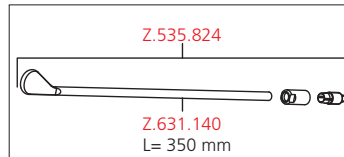
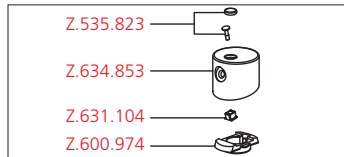
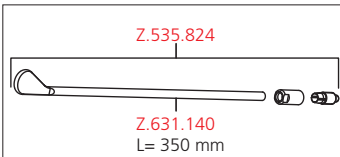
24.501.103.000
24.501.104.000
Faucet page 14



K.24.62.14.000B91/K.24.62.16.000B91
Faucet page 14



K.24.62.44.000B87/K.24.62.46.000B87
Faucet page 14



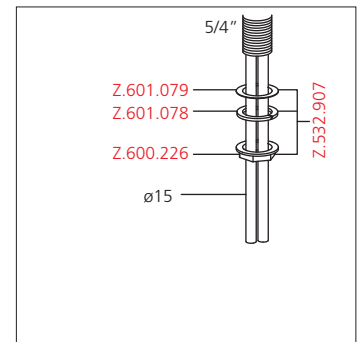
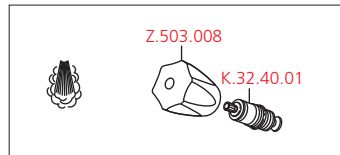
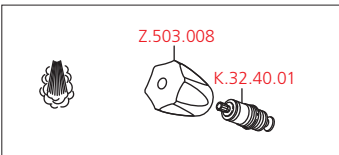
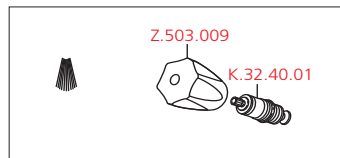
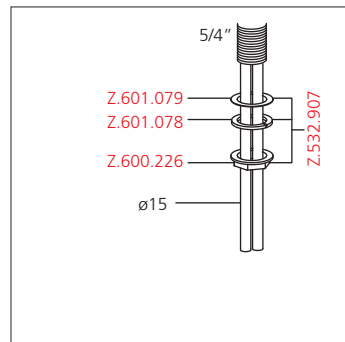
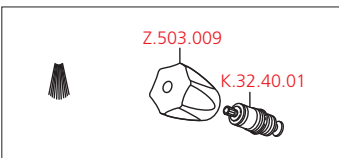
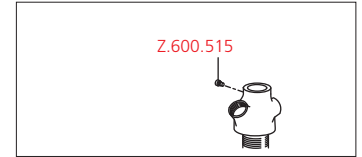
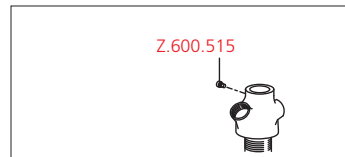
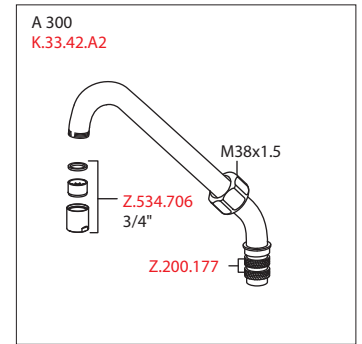
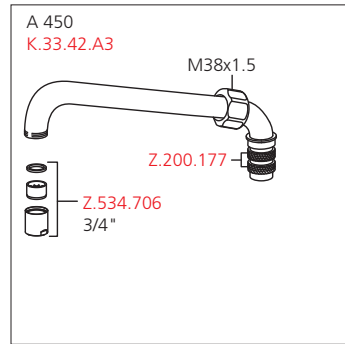
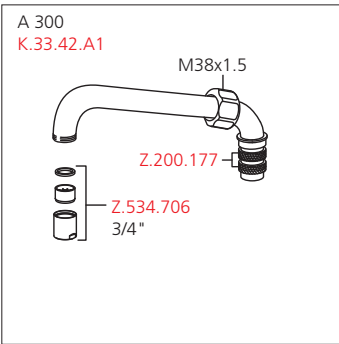
Spare parts



K.24.41.04.000C07
K.24.41.06.000C07
Faucet page 18



K.24.41.A2.000C07
Faucet page 18

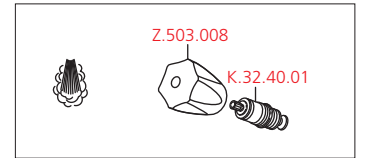
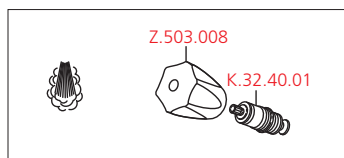
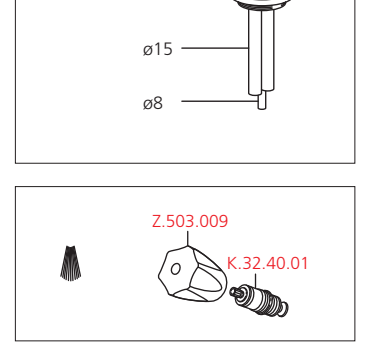
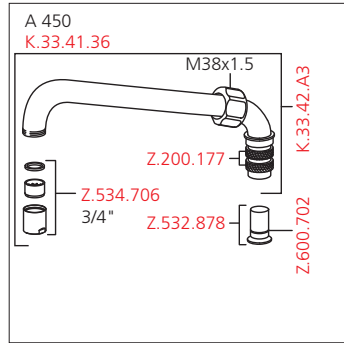
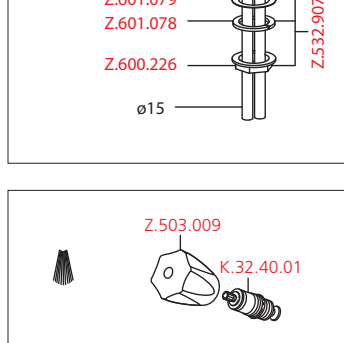
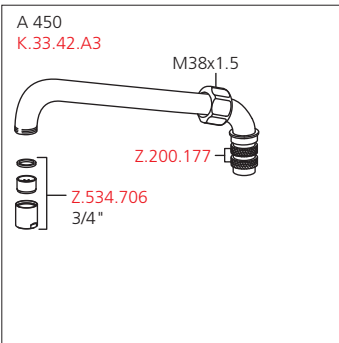
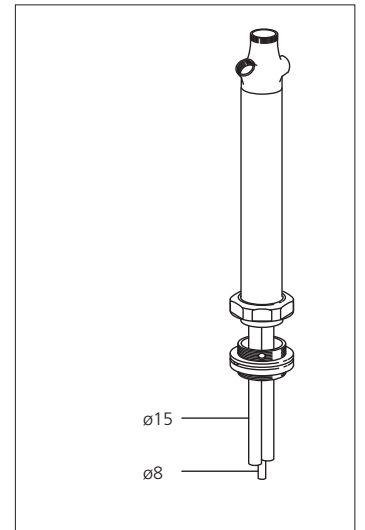
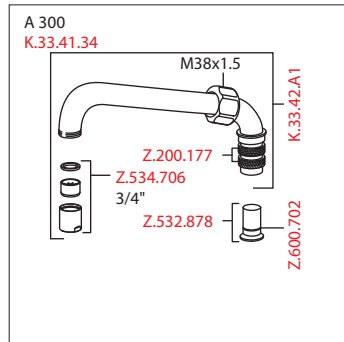
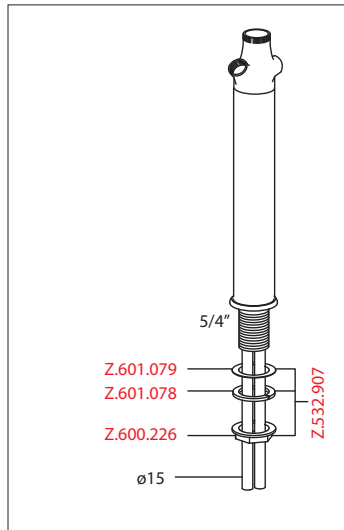
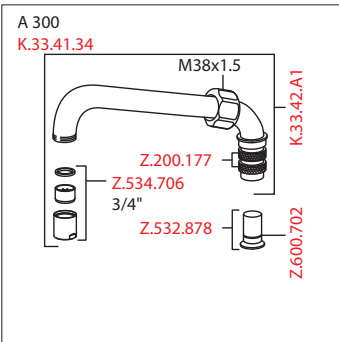




K.24.41.20.000C07
K.24.41.21.000C07
Faucet page 18



K.24.41.32.000C07
K.24.41.34.000C07
Faucet page 18



Spare parts



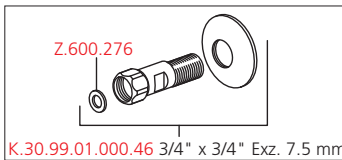
K.24.42.11.000C86
Faucet page 19



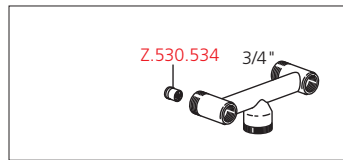
K.24.42.21.000C86
K.24.42.24.000C86
Faucet page 19



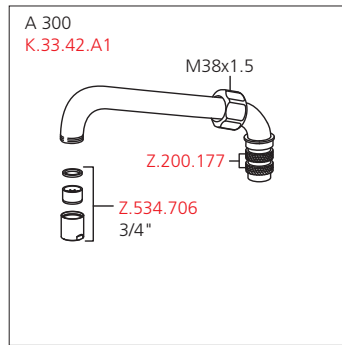
K.24.42.22.000C74
Faucet page 19



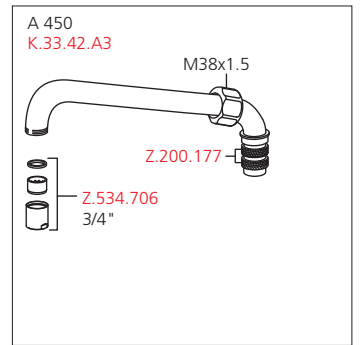
K.30.99.01.000.46 3/4" x 3/4" Exz. 7.5 mm



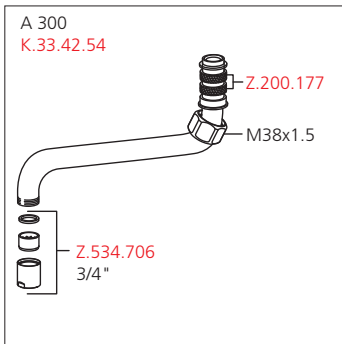
Z.530.534 3/4"



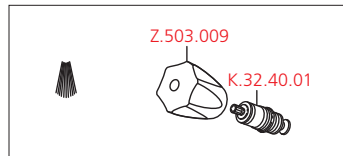
A 300
K.33.42.A1
M38x1.5
Z.200.177
Z.534.706
3/4"



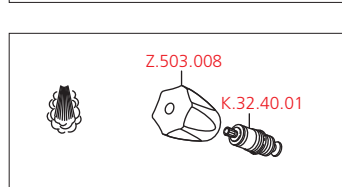
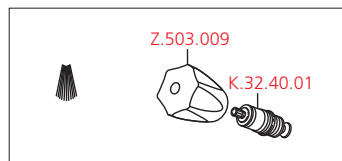
A 450
K.33.42.A3
M38x1.5
Z.200.177
Z.534.706
3/4"



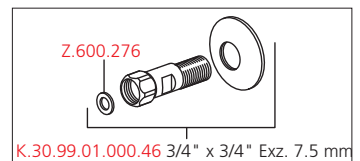
A 300
K.33.42.54
Z.200.177
M38x1.5
Z.534.706
3/4"



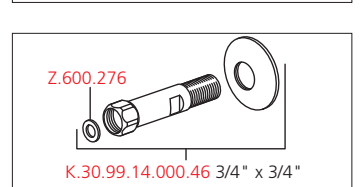
Z.503.008
K.32.40.01



Z.503.008
K.32.40.01



Z.600.276 3/4" x 3/4" Exz. 7.5 mm



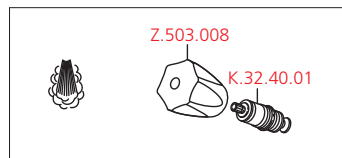
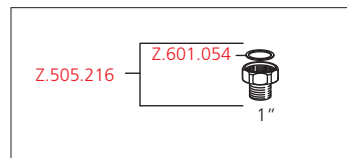
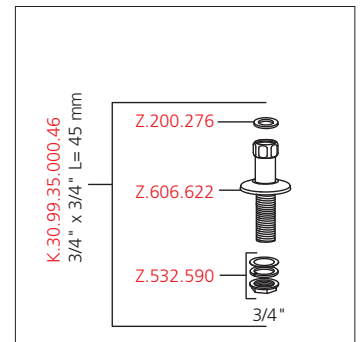
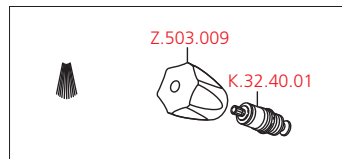
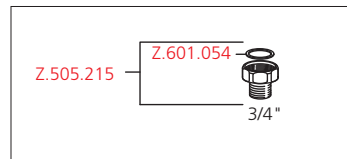
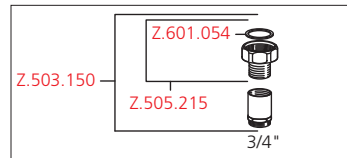
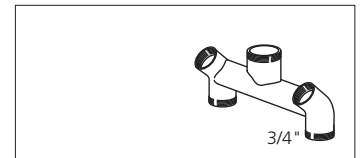
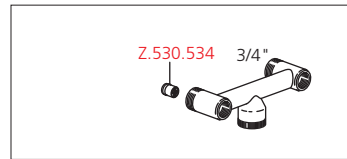
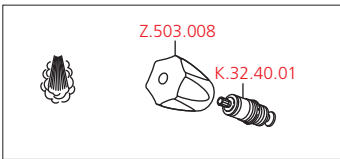
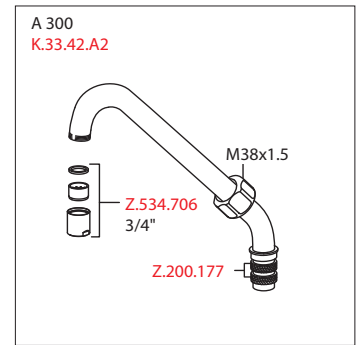
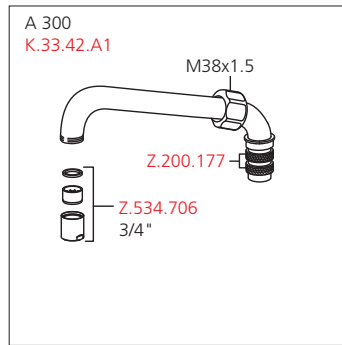
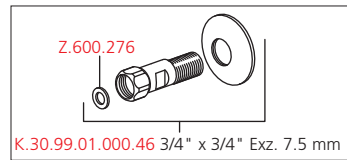
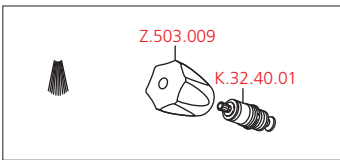
Z.600.276 3/4" x 3/4"



K.24.42.17.000C86
K.24.42.19.000C86
Faucet page 19



K.24.42.41.000C74
K.24.42.42.000C74
Faucet page 20



Spare parts



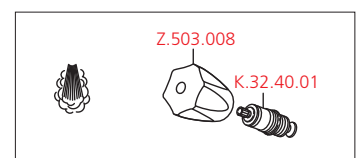
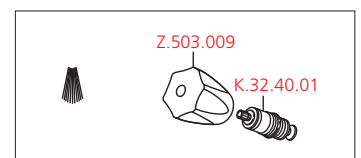
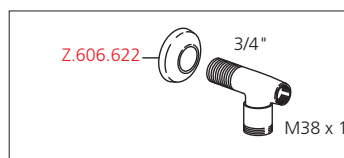
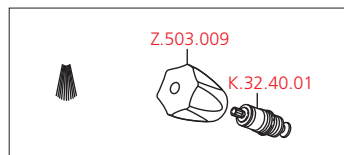
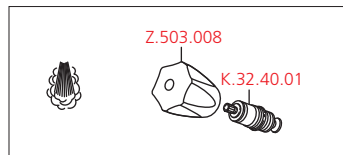
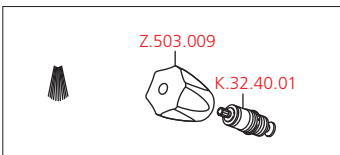
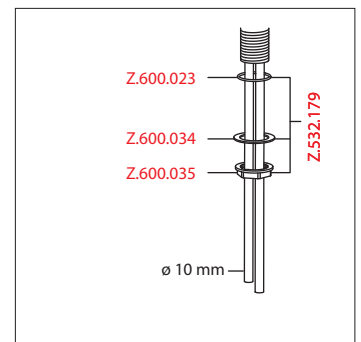
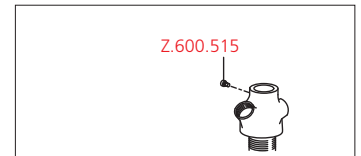
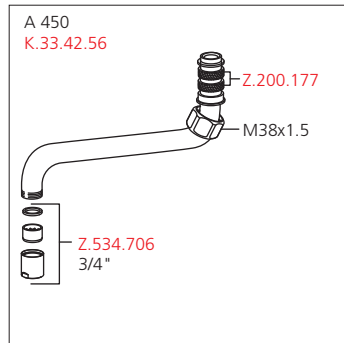
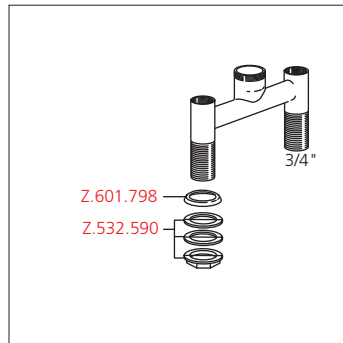
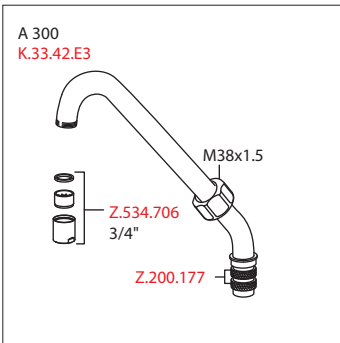
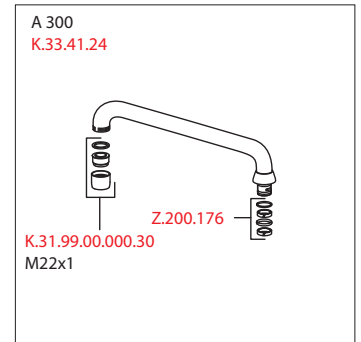
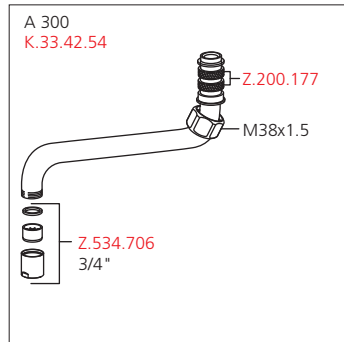
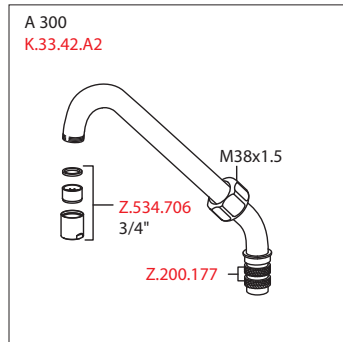
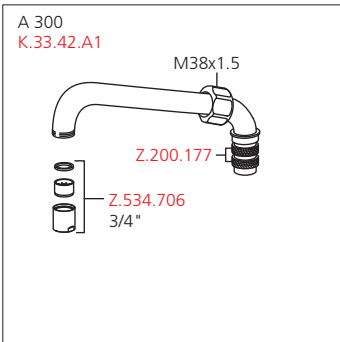
K.24.42.E1.000C35
K.24.42.E2.000C35
Faucet page 20



K.25.40.14.000C35 // K.25.40.16.000C35
Faucet page 20



K.24.41.24.000C02
Faucet page 21

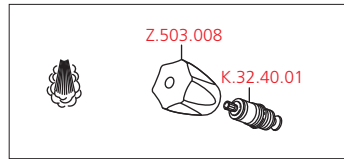
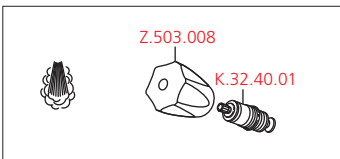
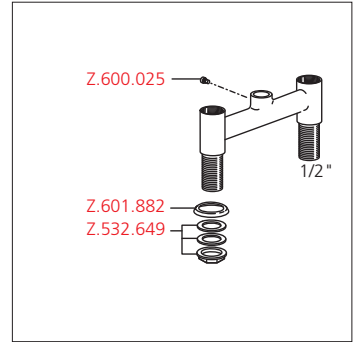
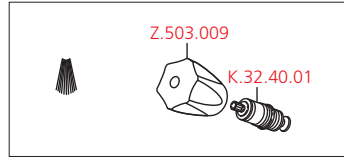
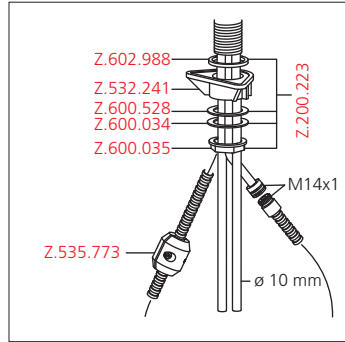
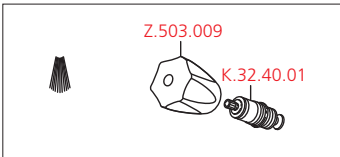
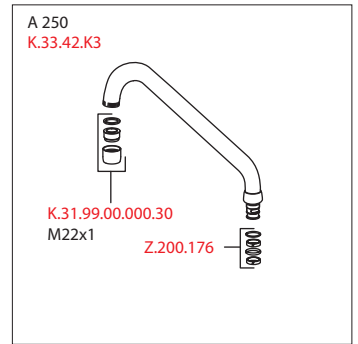
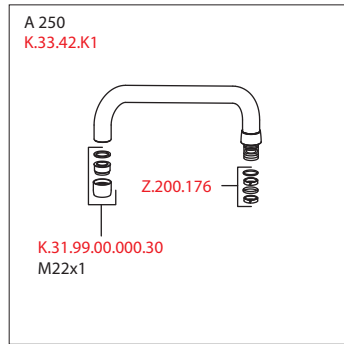
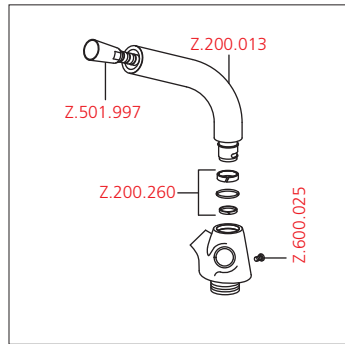
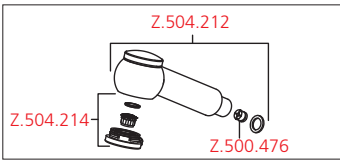




K.10.41.03.000C03
Faucet page 21



K.24.42.K1.000C34
K.24.42.K3.000C34
K.24.42.K5.000C34
Faucet page 21



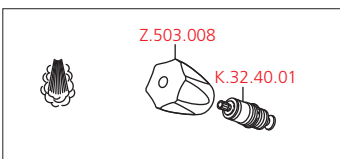
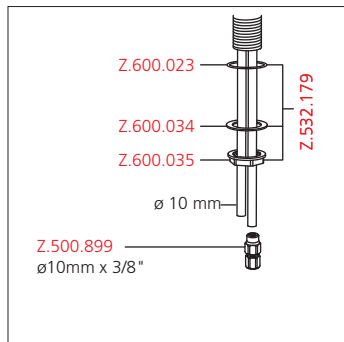
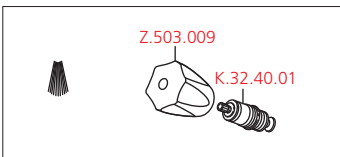
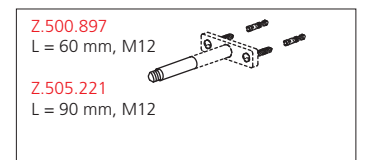
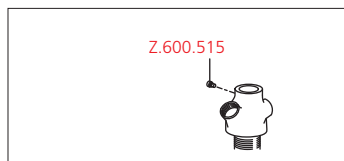
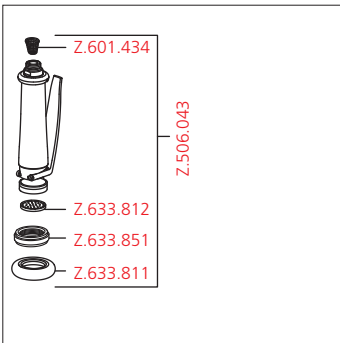
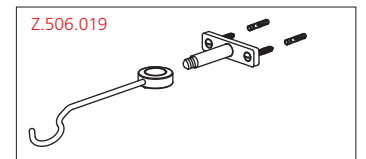
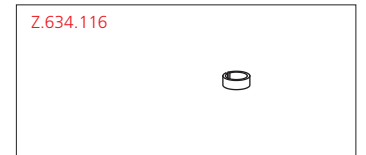
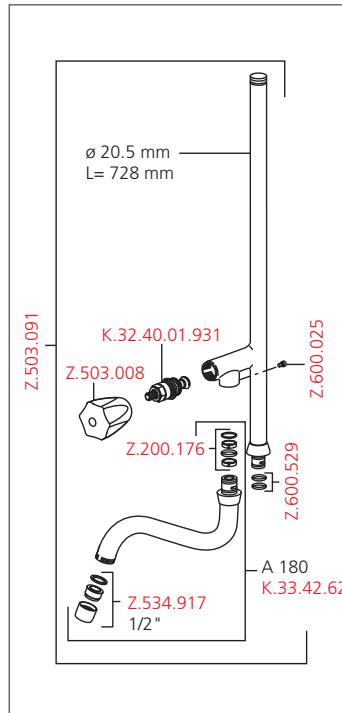
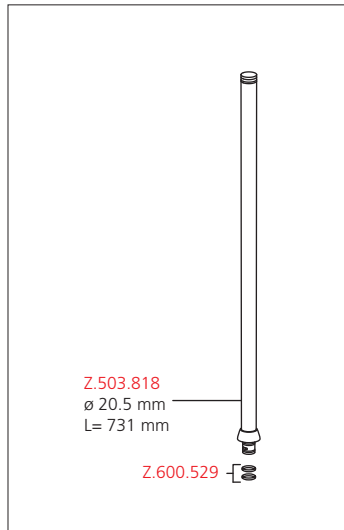
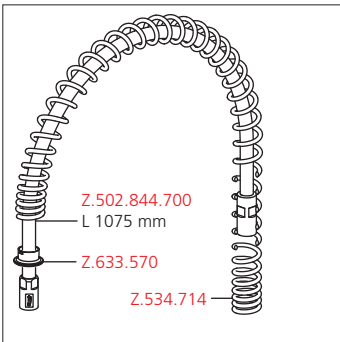
Spare parts



K.24.41.60.000C06
Faucet page 22



K.24.41.61.000C06
Faucet page 22

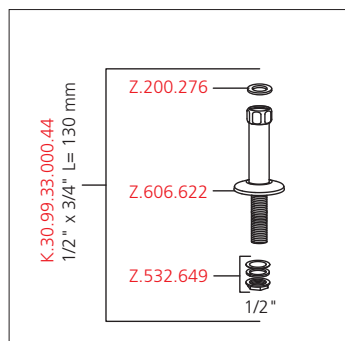
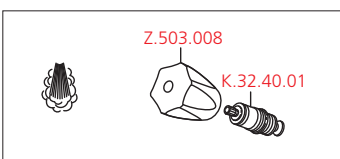
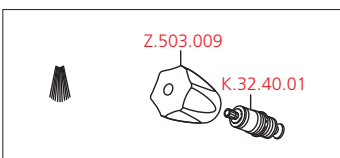
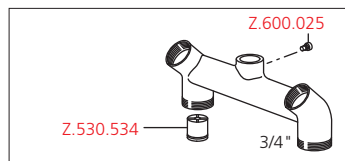
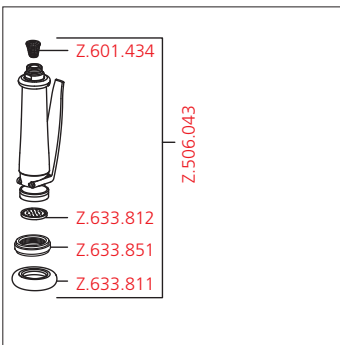
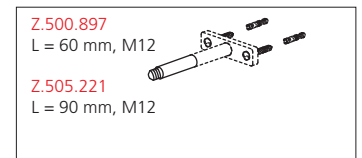
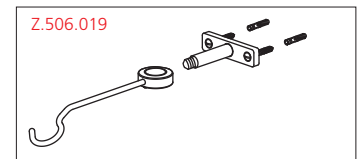
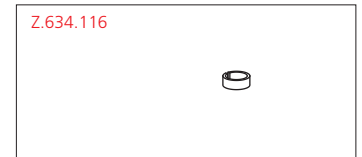
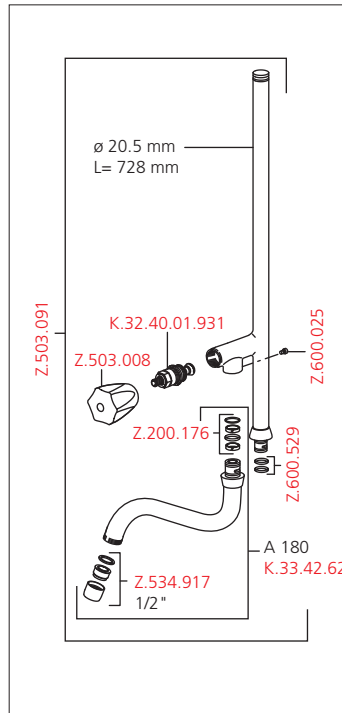
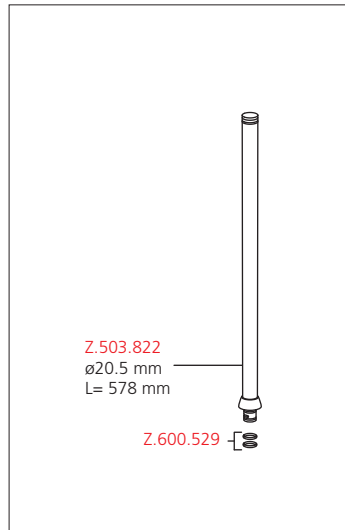
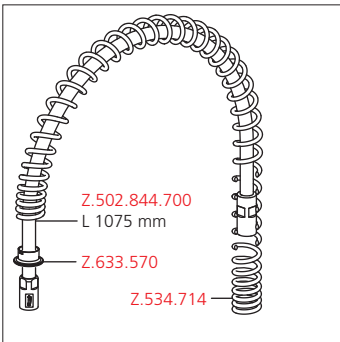




K.24.42.62.000C71
Faucet page 23



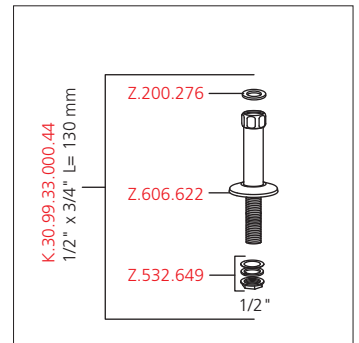
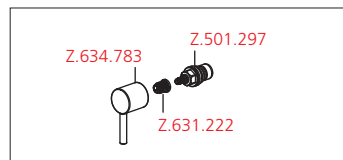
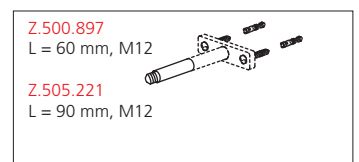
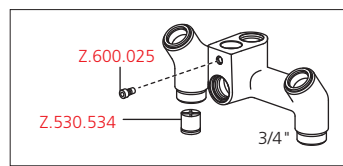
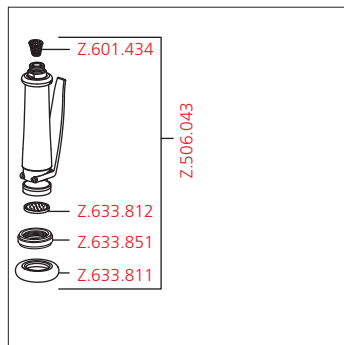
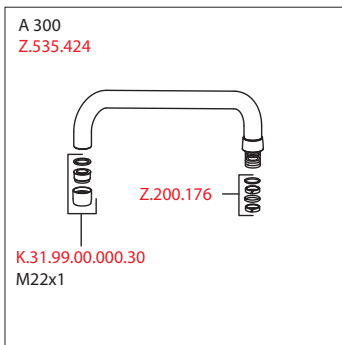
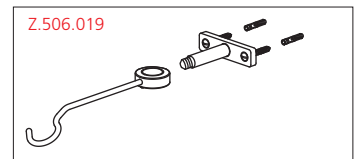
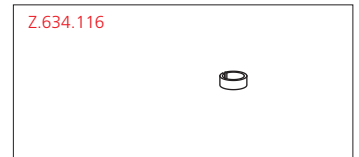
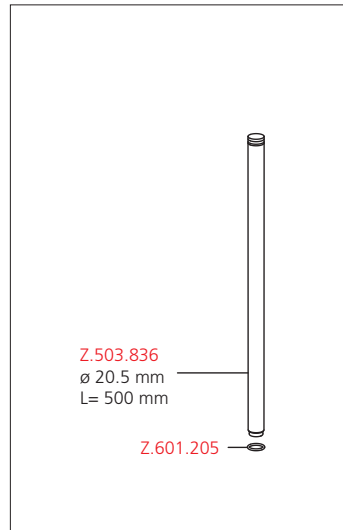
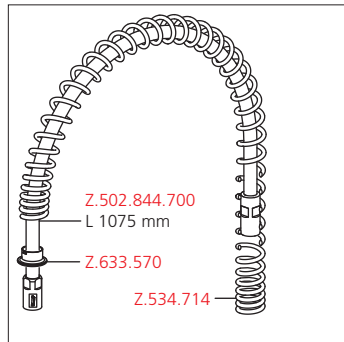
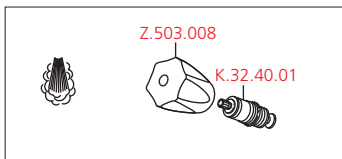
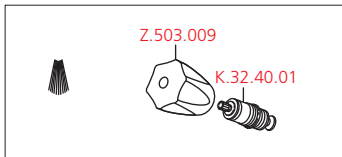
K.24.42.61.000C71
Faucet page 23



Spare parts



K.24.42.64.000C71
Faucet page 23

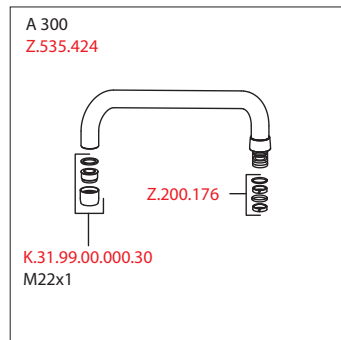
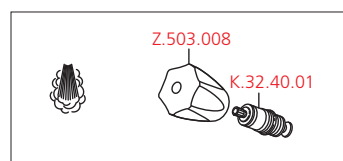
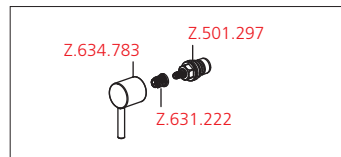
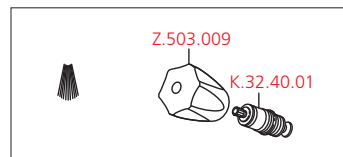
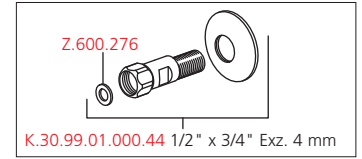
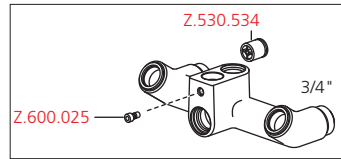
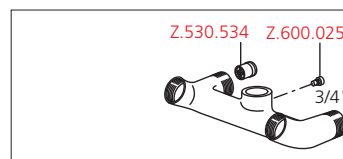
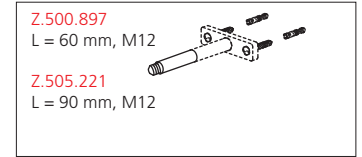
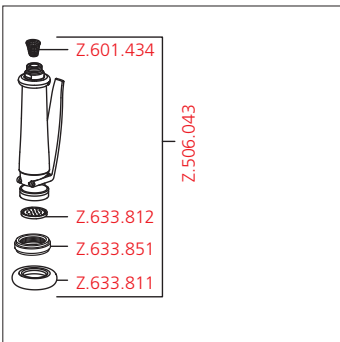
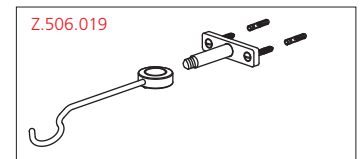
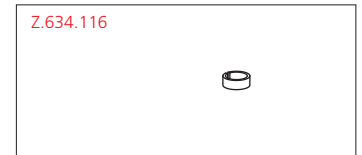
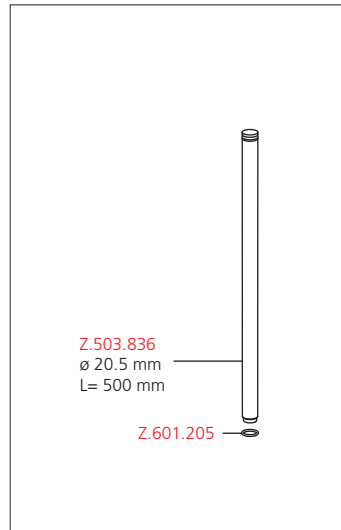
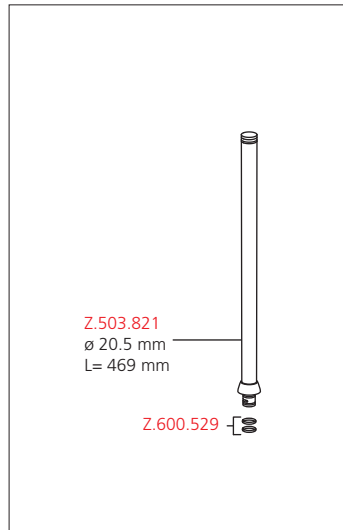
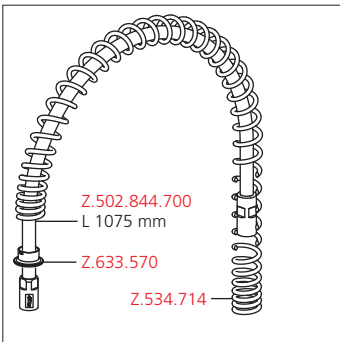




K.24.42.70.000C78
Faucet page 24



K.24.42.74.000C78
Faucet page 24



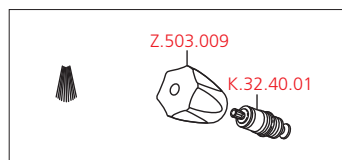
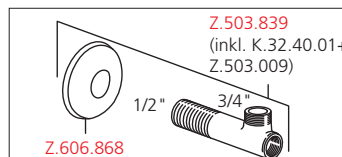
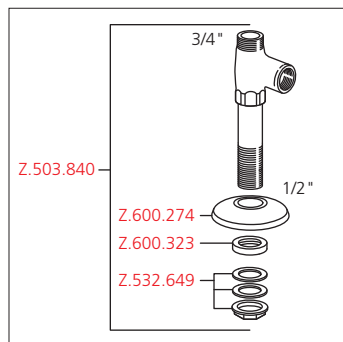
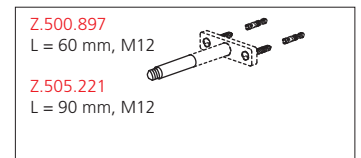
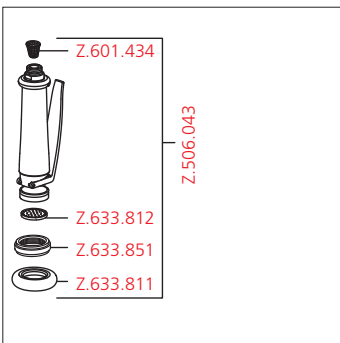
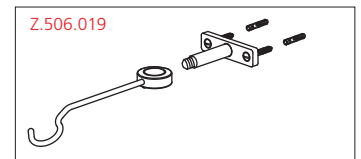
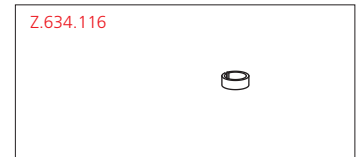
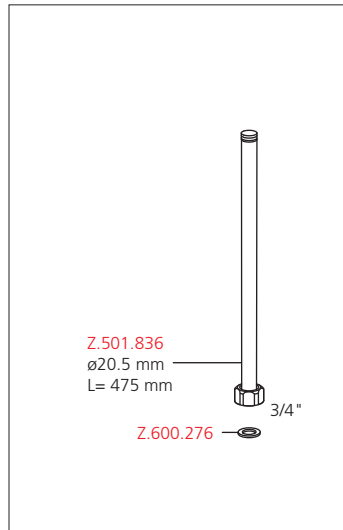
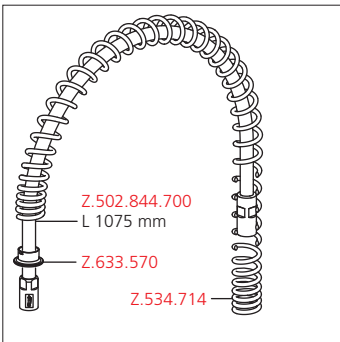
Spare parts



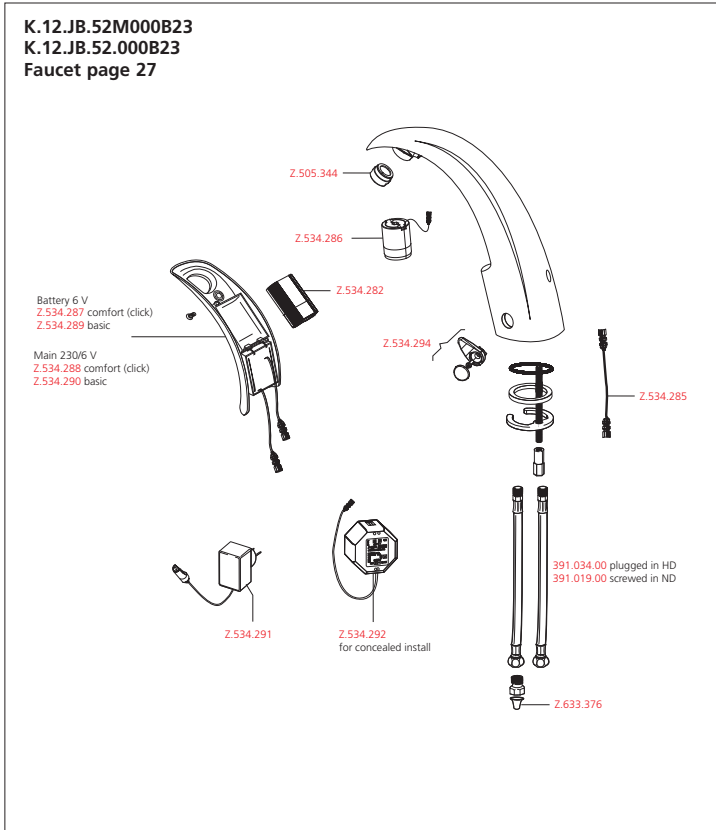
K.24.40.60.000C34
Faucet page 25



K.24.40.70.000C34
Faucet page 25



Accessories



Pre-rinse spray bracket extension

Z.500.897

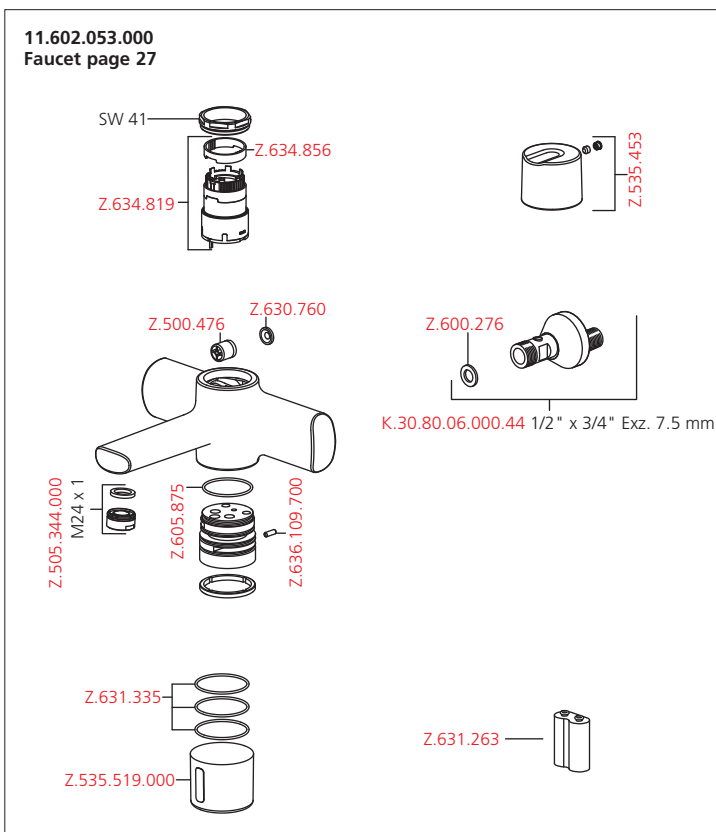
Using the bracket extension you can adjust the distance between the faucet and the wall to meet your individual requirements.



Drip-stop

Z.530.928

Prevents water from continuing to drip out of the spout. Fits all KWC GASTRO 3/4" faucets.



Hose connection

Z.504.527

Automatic diverter for hose connection. Fits all KWC 3/4" faucets. Hose connection 1/2".



Screw set

Z.200.162.000

The optional screw set makes the handles theft-proof.

The kitchen comes alive

Expertise throughout the range

KWC domestic faucets are just as impressive as their commercial counterparts. The extensive range combines a passion for Swiss precision with international design values, for products to suit every taste.



KWC ONO

KWC ONO redefines the concept of the kitchen faucet. Minimalist design and refined craftsmanship make for unrivalled simplicity and sophistication.

KWC EVE

Fluid, organic form with a slim and graceful design. The illuminated outlet alluringly highlights the flow of water.



KWC DOMO

The top-selling faucet range in Switzerland. A beautiful, timeless classic with a design that still looks new and fresh today.





KWC SYSTEMA

Pure perfection. A complete system for the semi-professional kitchen – flexible, multi-functional, compelling all round.



KWC INOX

High-quality materials, minimalist design, simple yet elegant looks and the latest technology. The ultimate in stainless steel appeal.

KWC DIVO

A new approach to function and harmony. And an eye-catching revelation from every angle.



KWC BLISS

A highly functional faucet with clean lines, at a reasonable price. The ideal combination of function and form.



KWC – a tradition of innovation

New ideas for a new era

The history of KWC perfectly demonstrates the power of innovation. From small beginnings, the company has outperformed on all fronts. Now KWC is an international producer of the highest quality faucets, a symbol of Swiss excellence throughout the world.

A place where time never stands still.

The harmony of a product's form is reflected by the precision of its manufacture. The measure of any new idea is how effectively it is put into practice. KWC continues to put every effort into reinventing traditional values and adding beauty to lifestyle.





An idea on the move.

In 1874 Adolf Karrer founded a company making mechanical music boxes in Unterkulm, Switzerland. He was gripped by a urge to inspire people with his innovative idea. KWC moved on to manufacturing high-quality faucets many years ago, but the music continues to play.



Small but crucial differences.

The desire to create elegant, graceful faucets begins with technical perfection. If a product is to look impressive in the kitchen or bathroom and provide years of impeccable service, each and every detail must be just right.



