

**AXOR One**  
**3-hole basin mixer 170 with push-open waste set**  
 Surfaces: **Chrome** Article Number: **48050000**



### product features

- consists of: 3-hole basin mixer, waste set
- ComfortZone 170
- projection: 140 mm
- spout height: 169 mm
- swivel range 120°
- spray type: normal spray
- maximum flow rate at 3 bar: 5 l/min
- ceramic valves hot/ cold 90°
- suitable for continuous flow water heaters
- push-open waste set G 1¼
- material waste set: metal
- connection type: G ¾ connections
- connection dimension: DN15

### Technology



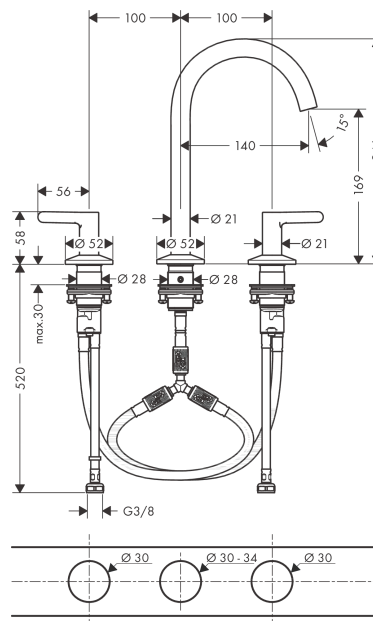
### Certificates



### Product image



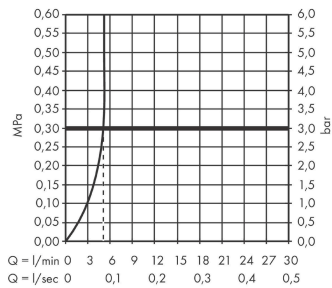
### Scale drawing



**AXOR One**  
**3-hole basin mixer 170 with push-open waste set**  
Surfaces: **Chrome** Article Number: **48050000**



## Flowchart

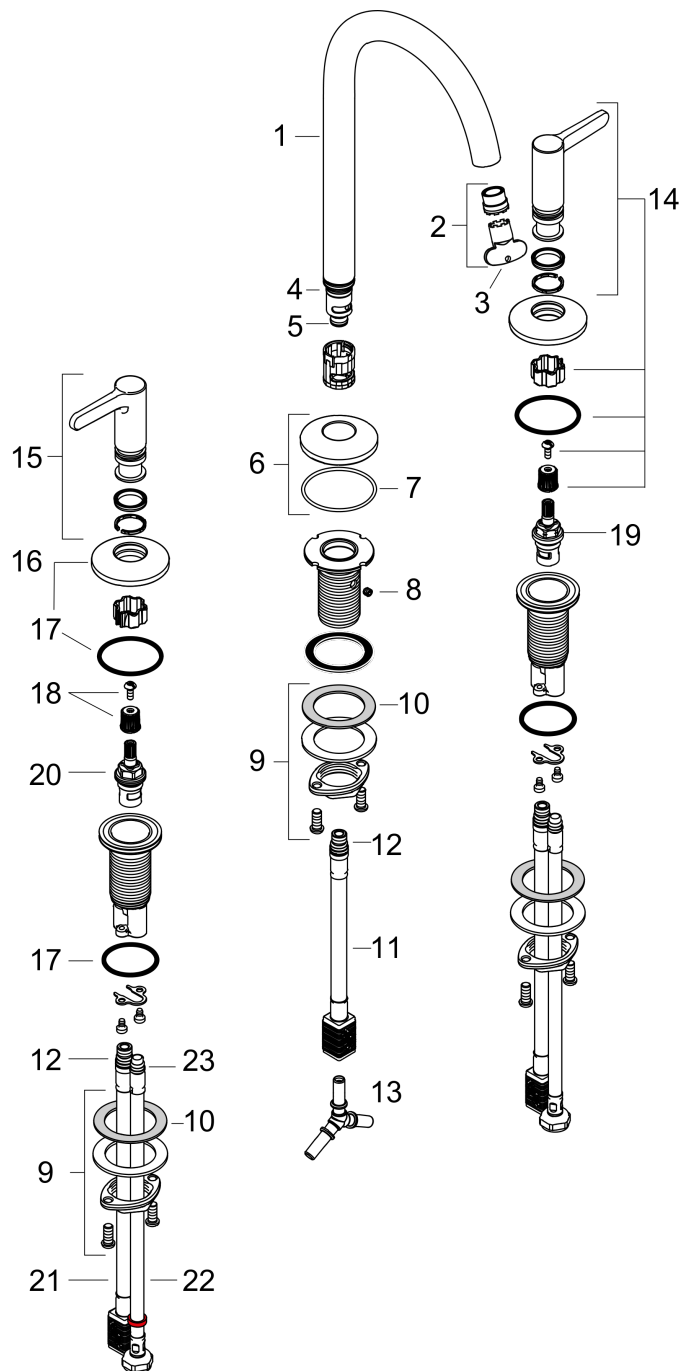


**AXOR One**  
**3-hole basin mixer 170 with push-open waste set**  
 Surfaces: **Chrome**    Article Number: **48050000**



## Exploded Drawing

Year of production: >04/21



**AXOR One**  
**3-hole basin mixer 170 with push-open waste set**  
 Surfaces: **Chrome** Article Number: **48050000**



## Spare part list

Year of production: >04/21

Pos.		Article Number	Price	PU
1	spout cpl.	94100000	-	1
2	aerator cpl.	93118000	€ 22,37	1
3	special tool	98987000	€ 8,45	1
4	O-ring 18x1,5	98231000	€ 3,21	1
5	O-ring 9x1,5	98117000	€ 3,21	1
6	escutcheon	93998000	€ 35,94	1
7	O-Ring 46x2	98195000	€ 3,21	1
8	hollow set screw M5x5	98446000	€ 3,21	1
9	fixing set (Ø 28)	92909000	€ 18,33	1
10	lever collar	97548000	€ 3,21	1
11	connection hose 200 mm M10x1	92913000	€ 44,63	1
12	O-ring 8x1,75	97827000	€ 3,21	1
13	hose connection angel	92905000	€ 13,92	1
14	handle for hot water	94160000	-	1
15	handle for cold water	94161000	-	1
16	escutcheon for handle	94162000	-	1
17	O-ring 33x2,5	92907000	€ 3,21	1
18	handle fixing set	98932000	€ 13,92	1
19	shut off unit left closing	95366000	€ 28,20	1
20	shut off unit right closing	98817000	€ 28,20	1
21	connection hose 400 mm M10x1	92914000	€ 57,12	1
22	connection hose 450 mm M8x0,75 G3/8	97206000	€ 28,20	1
23	O-ring 6,6x1,6	93019000	€ 3,21	1
a	push-open waste set	50100000	-	1