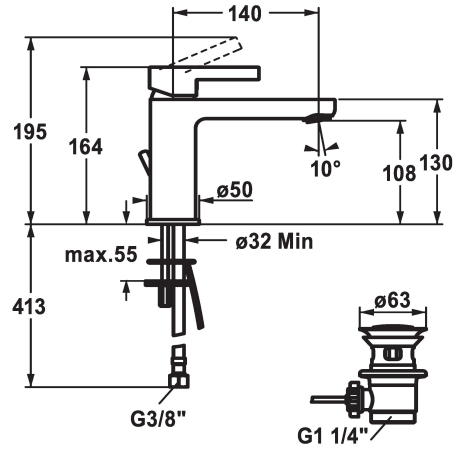


## KWC FIT Lever mixer - Basin

Modell-Linie: FIT | 12.548.042.000FL ++  
Taps | Manual taps



### KWC-No.

#### 12.548.042.000FL

all chrome, A 140, flexible connection hoses, with pop-up valve

#### 12.548.052.000FL

all chrome, A 140, flexible connection hoses, without pop-up valve

- EcoProtect - water-saving device
  - Fixed spout
    - Neoperl® Perlator®
  - OptimalSpace - ample space for washing or working
  - KWC cartridge M 35 OP
    - with ceramic discs
    - flow rate and temperature continuously variable
  - temperature limitation
  - Flexible connection hoses 3/8"
  - Fastening by means of stud bolt 2x M6 x 1
  - Mounting hole size ø35 mm
  - Flow rate 5 l/min (3 bar)
- Acoustic group I

